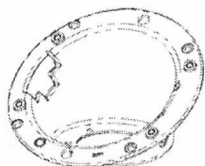


Jeep Wrangler



1.7 N·m (15 Inch·lb)
CAUTION
DO NOT OVERTORQUE



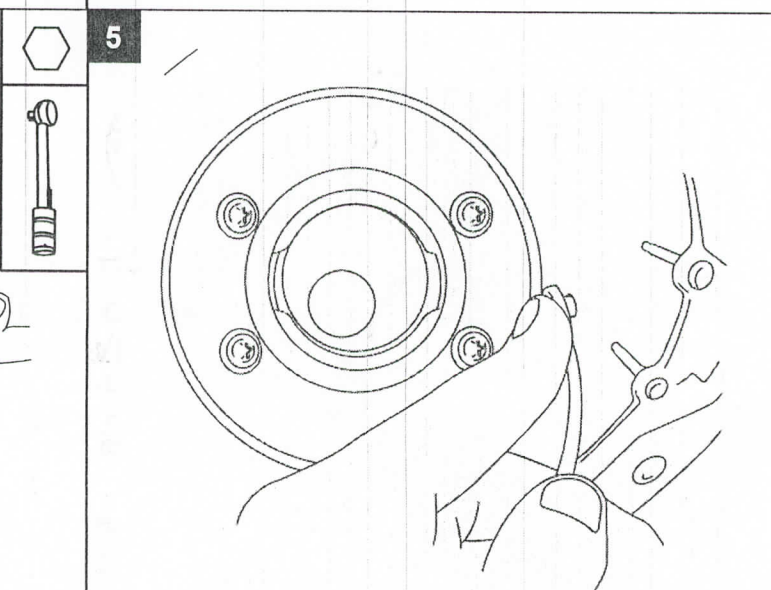
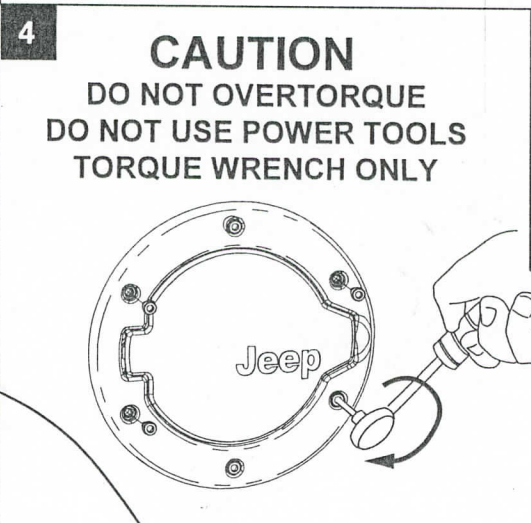
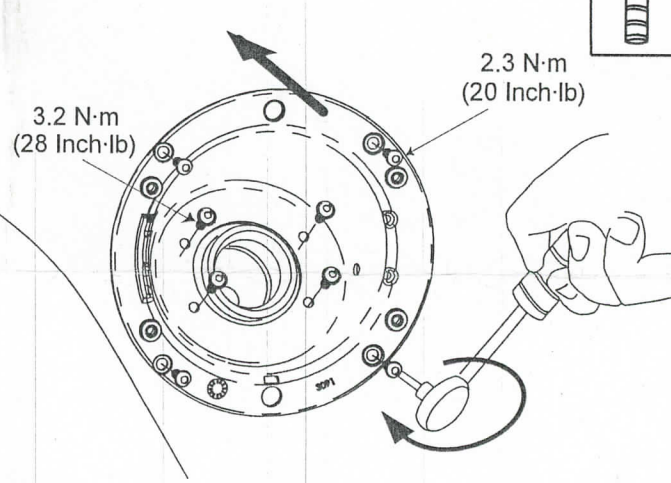
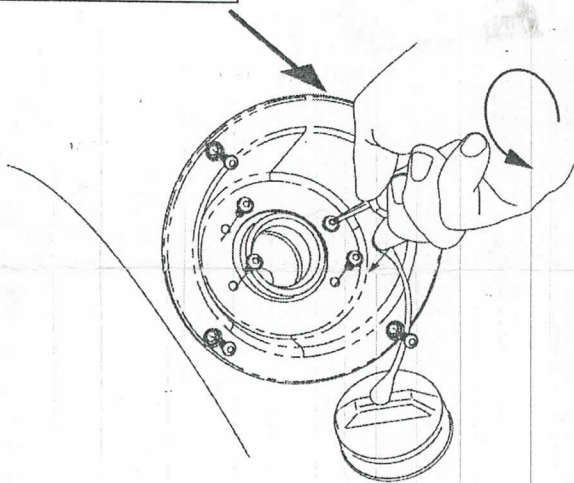
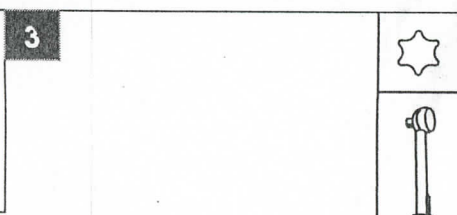
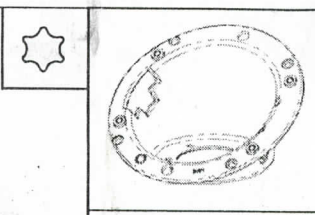
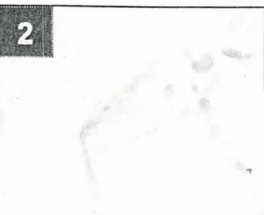
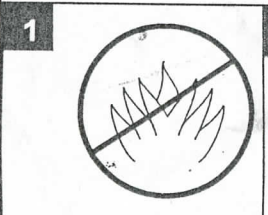
TORQUE WRENCH



4MM HEX



T-25 TORX



1.7 N·m (15 Inch·lb)