

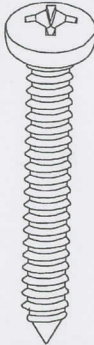




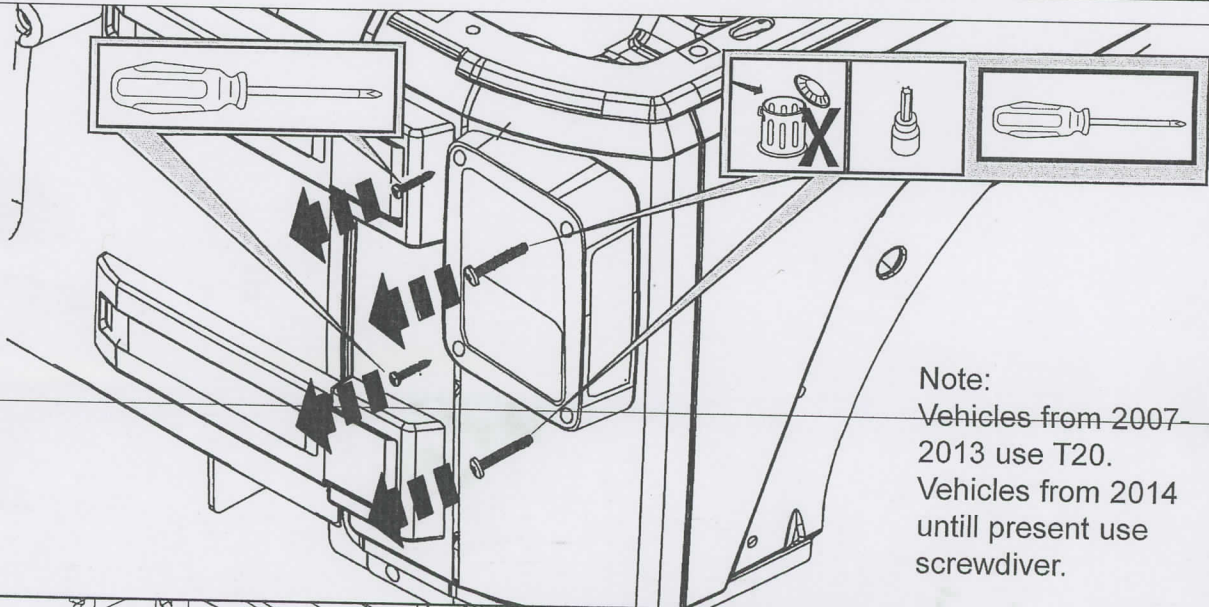


MOPAR.

# WRANGLER TAIL LENS GUARD

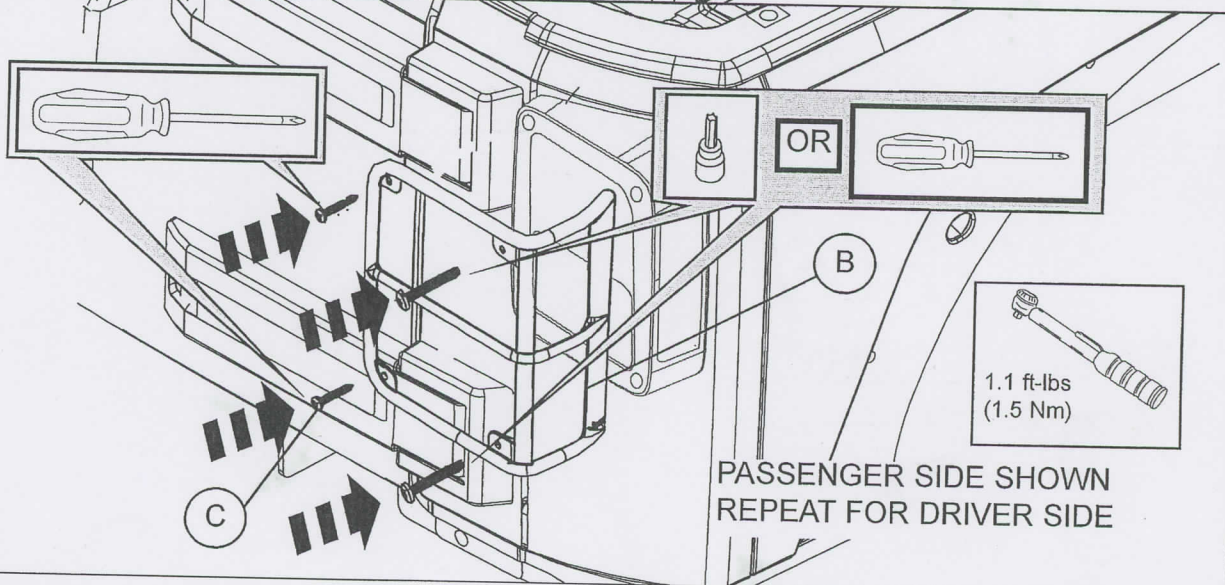
<p>1X A</p> 	<p>1X B</p> 	<p>4X C</p> 	 T20 
-----------------------------------------------------------------------------------------------	-----------------------------------------------------------------------------------------------	-------------------------------------------------------------------------------------------------	--------------------------------------------------------------------------------------------------------------------------------------------------------------------------------

1



Note:  
Vehicles from 2007-2013 use T20.  
Vehicles from 2014 until present use screwdriver.

2



OR

1.1 ft-lbs  
(1.5 Nm)

PASSENGER SIDE SHOWN  
REPEAT FOR DRIVER SIDE