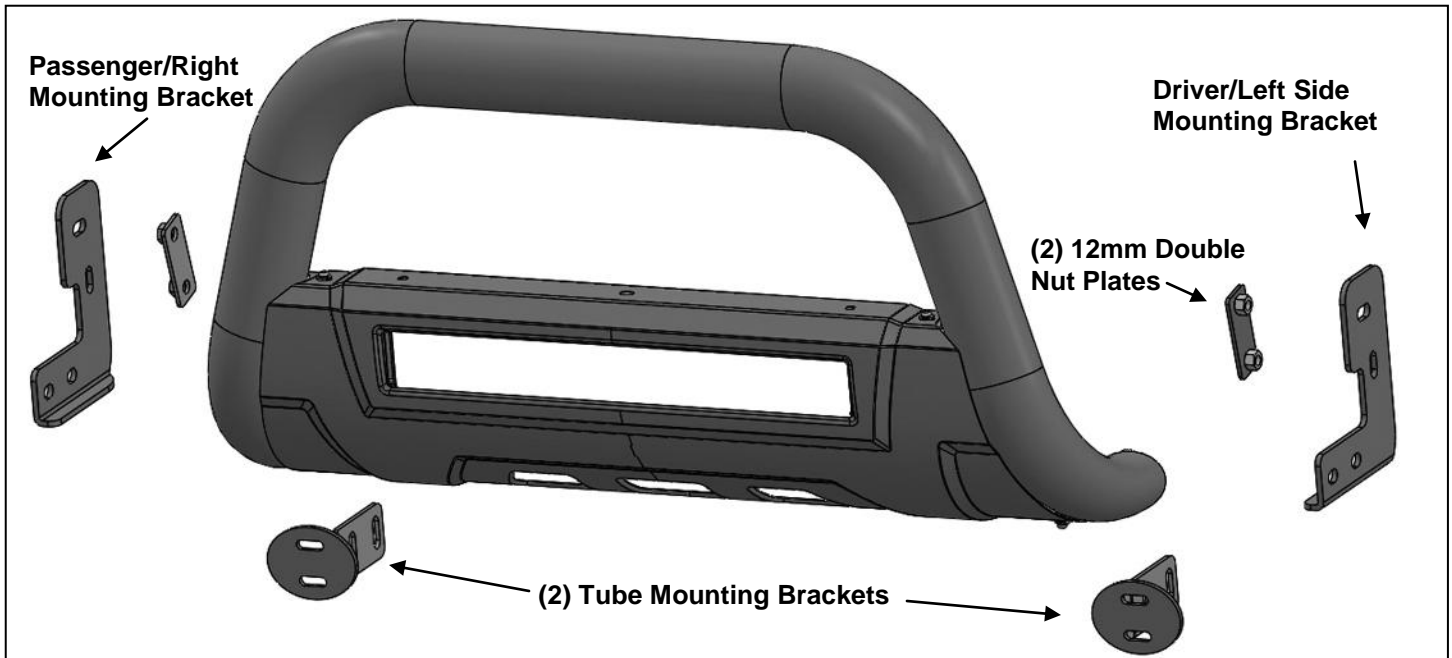


Installation Instructions

**Barricade 3.5 in. Bull Bar w/ Skid Plate & 20 in. Dual Row LED Light Bar – Black
(Polished) (2010-2017 JEEP WRANGLER JK 4 DR & 2DR)
Part# J107785 J107786**

PARTS LIST:

1	Bull Bar	8	12mm x 32mm OD x 3mm Flat Washers
2	Tube Mounting Brackets	4	12mm x 24mm x 2.5mm Flat Washers
1	Driver/Left Frame Mounting Bracket	8	12mm Lock Washers
1	Passenger/Right Frame Mounting Bracket	4	12-1.75mm Hex Nuts
1	20" LED Light Bar	4	8-1.25mm x 35mm Hex Bolts
2	Double Nut Plates	2	8mm x 16mm Hex Bolts
4	12-1.75mm x 35mm Hex Bolts	6	8mm Lock Washers
4	12mm x 30mm Hex Bolts	6	8mm x 24mm x 2mm Flat Washers



PROCEDURE:

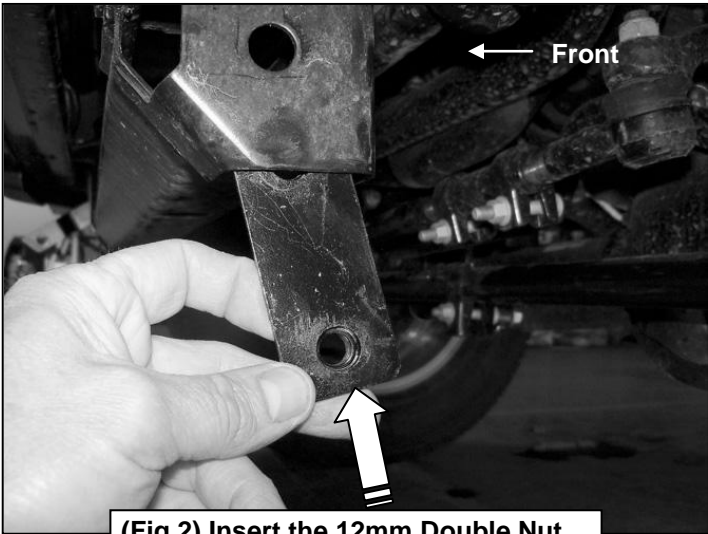
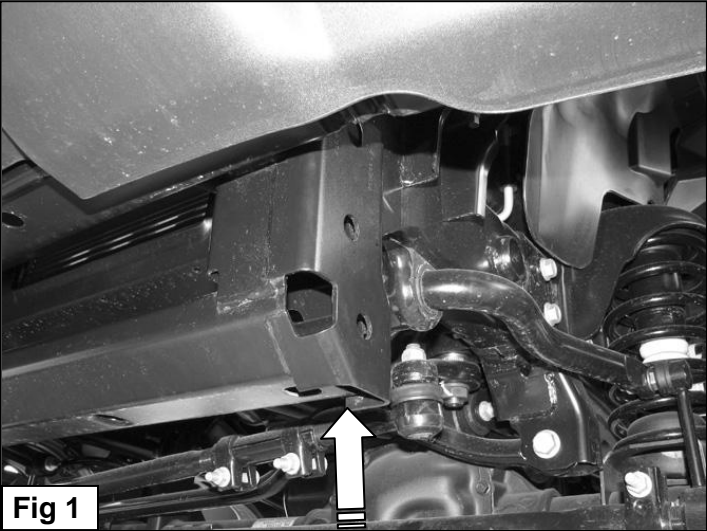
1. REMOVE CONTENTS FROM BOX. VERIFY ALL PARTS ARE PRESENT. READ INSTRUCTIONS CAREFULLY. CUTTING IS REQUIRED. ASSISTANCE IS RECOMMENDED.
2. Remove the plastic splash guard from under the front bumper and place it on a clean, stable work surface, **(Figure 1)**.
3. Starting on the driver side, insert (1) 12mm Double Nut Plate, **(Figure 2)**, into the opening in the end of the frame cross-member. Line up the lower hole in the Nut Plate with the lower hole in the frame.
4. Select the driver side Mounting Bracket. Insert (1) 12mm x 30mm Hex Bolt, (1) 12mm Lock Washer and (1) 12mm x 24mm Flat Washer through the lower hole in the Bracket, cross-member and into the Double Nut Plate, **(Figure 3)**. Leave hardware loose at this time.
5. Repeat **Steps 3—4** for passenger side Mounting Bracket installation.
6. Place Bull Bar on a clean, stable work surface. Select the passenger side Bull Bar Tube Bracket. Bolt the Bracket to the end of the Bull Bar with (2) 8mm x 35mm Hex Bolts, (2) 8mm Lock Washers and (2) 8mm Flat Washers, **(Figure 4)**. Do not tighten hardware. Repeat this **Step** for driver side Bracket.
7. **Center LED Light Installation, (LED Light Bar Included):**
 - a. Attach the LED Light Bar to the back of the Bull Bar using the included (2) 8mm x 16mm Hex Bolts, (2) 8mm Lock Washers and (2) 8mm x 24mm Flat Washers, **(Figure 5)**.
8. With assistance, hold the Bull Bar with Brackets up in position on the outside of the Frame Mounting Brackets. Attach the Bull Bar to the Brackets with (4) 12mm x 35mm Hex Bolts, (8) 12mm x 32mm OD Flat Washers, (4) 12mm Lock Washers and (4) 12mm Hex Nuts, **(Figure 6)**. Do not tighten hardware.
9. Align the Bull Bar properly and fully tighten the Bracket hardware securing the Brackets to the frame only. Temporarily remove the Bull Bar.
10. Position the splash guard back up to the vehicle and attach with the factory hardware. Trace the location of the Mounting Brackets onto the splash guard, **(Figure 7)**. **NOTE:** Remove only material

necessary to clear the Bull Bar and Brackets. Make small cuts and check the fit often before final installation, **(Figure 8)**. Reinstall the splash guard with factory hardware.

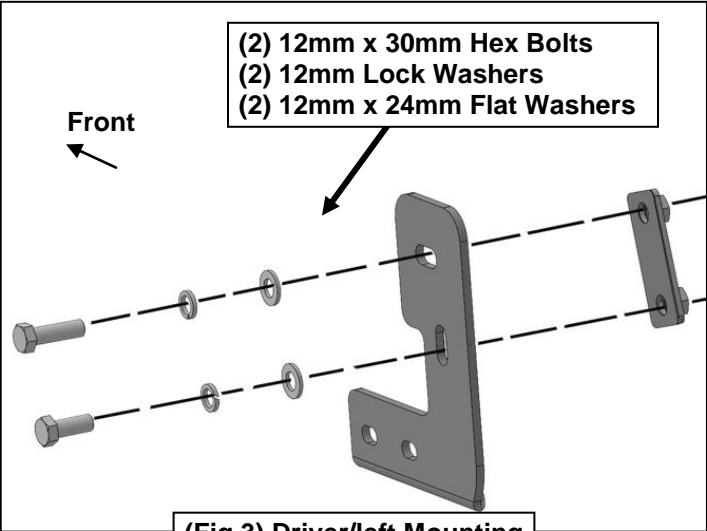
- 11. Reinstall the Bull Bar and tighten all hardware.
- 12. Do periodic inspections to the installation to make sure is secure and tight.

To protect your investment, wax this product after installing. Regular waxing is recommended to add a protective layer over the finish. Do not use any type of polish or wax that may contain abrasives that could damage the finish. Mild soap may be used to clean the Bull Bar.

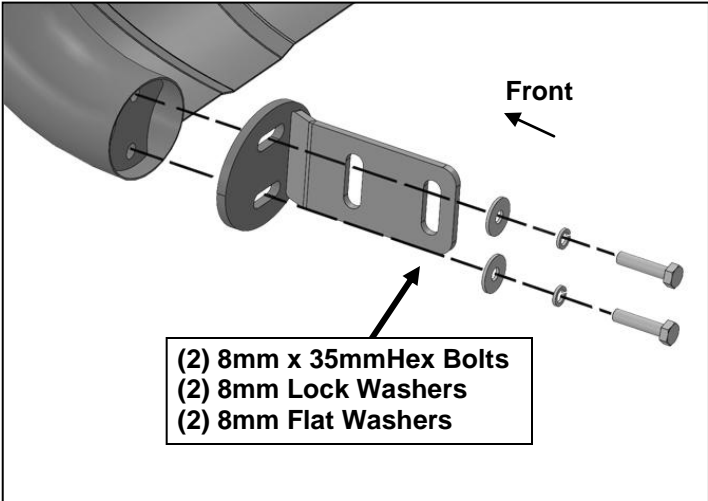
Driver Side Installation Pictured



(Fig 2) Insert the 12mm Double Nut Plate into the opening in the bottom of the end of the cross-member



(Fig 3) Driver/left Mounting Bracket to cross-member



(Fig 4) Driver/left Tube Bracket to Bull Bar

Driver Side Installation Pictured

