

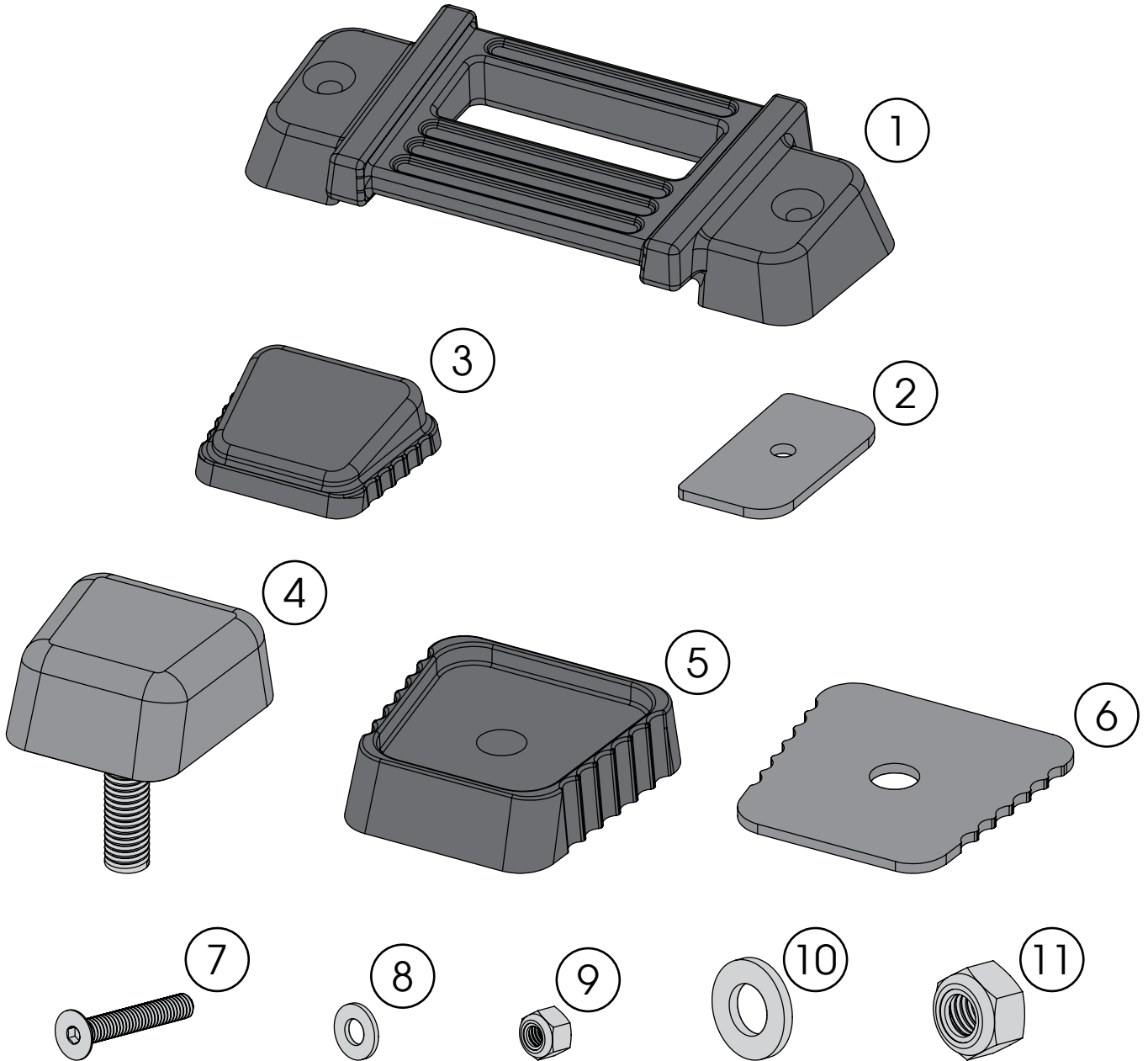


OMIX-ADA, Inc.

Part # 11101.08

460 HORIZON DR. SUITE 400 | SUWANEE, GA 30024 | PHONE: 770-614-6101 | FAX: 770-614-6069 | info@omix-ada.com

# Elite Billet Hood Dress Up Kit



## Components

- |                        |     |                       |     |
|------------------------|-----|-----------------------|-----|
| 1. Footman Loop        | (1) | 7. M4 Flat Head Screw | (2) |
| 2. Footman Loop Gasket | (2) | 8. M4 Flat Washer     | (2) |
| 3. Nozzle Cover        | (2) | 9. M4 Lock Nut        | (2) |
| 4. Bump Stop           | (2) | 10. M8 Flat Washer    | (2) |
| 5. Bump Stop Base      | (2) | 11. M8 Lock Nut       | (2) |
| 6. Bump Stop Gasket    | (2) |                       |     |

### OMIX-ADA® TECHNICAL SUPPORT

PHONE: M-F 8am - 5pm EST 1-800-449-6649 | EMAIL: techsupport@omix-ada.com

FOR WARRANTY INFORMATION VISIT: [www.Omix-Ada.com](http://www.Omix-Ada.com)

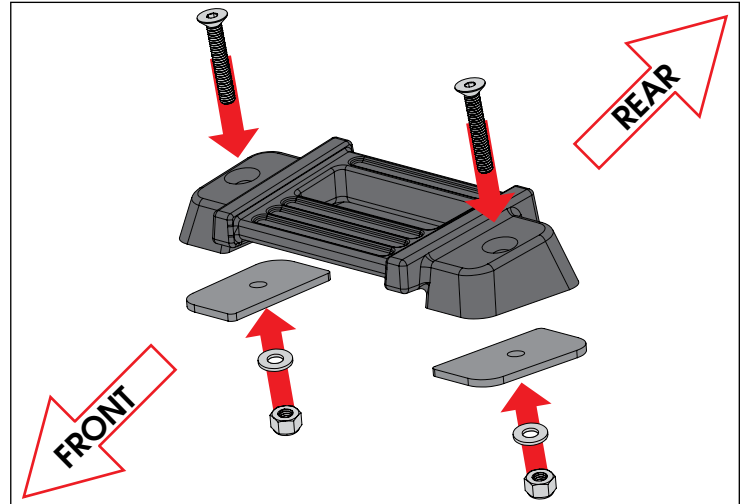


OMIX-ADA, Inc.

460 HORIZON DR. SUITE 400 | SUWANEE, GA 30024 | PHONE: 770-614-6101 | FAX: 770-614-6069 | info@omix-ada.com

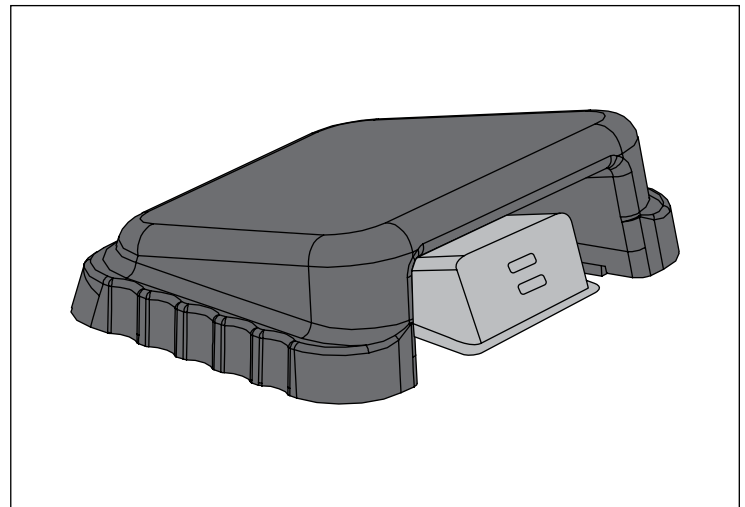
# Elite Billet Hood Dress Up Kit

1. Remove stock footman loop from hood and clean area underneath. Install new Footman Loop and Footman Loop Gasket using supplied M4 hardware.



2. Clean area around washer nozzle. Center Nozzle Cover with stock nozzle. Align opening in Nozzle Cover with tip of nozzle. Remove adhesive backing on tape and apply moderate pressure for 30 seconds.

**NOTE:** Some Wrangler models may only have one washer nozzle.



3. Remove stock bump stops from hood and clean area underneath. Install new Bump Stop, Base, and Gasket using supplied M8 hardware.

