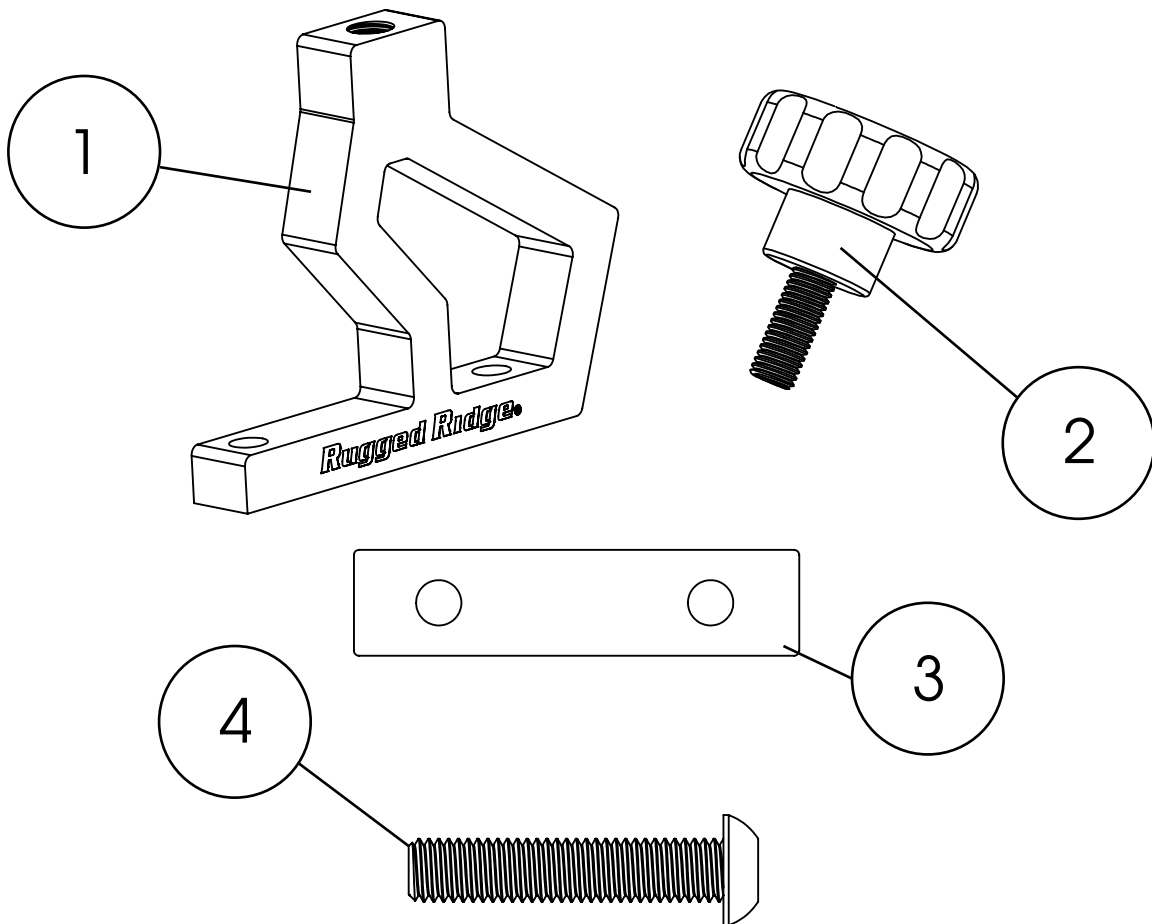


Offroad Jack Hood Mounting Bracket; 97-06



Components

- 1. Hood Bracket
- 2. Thumb Screw

- (2) 3. Gasket (2)
- (2) 4. M8 Button Head Bolt (4)

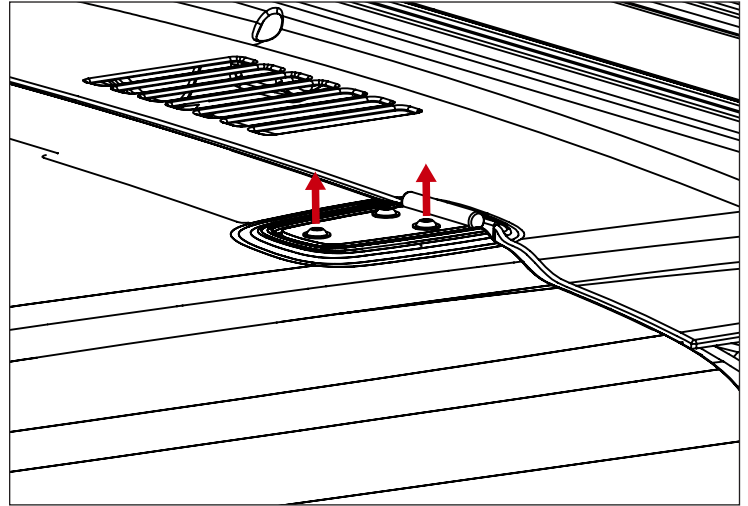
OMIX-ADA® TECHNICAL SUPPORT

PHONE: M-F 8am - 5pm EST 1-800-449-6649 | EMAIL: techsupport@omix-ada.com

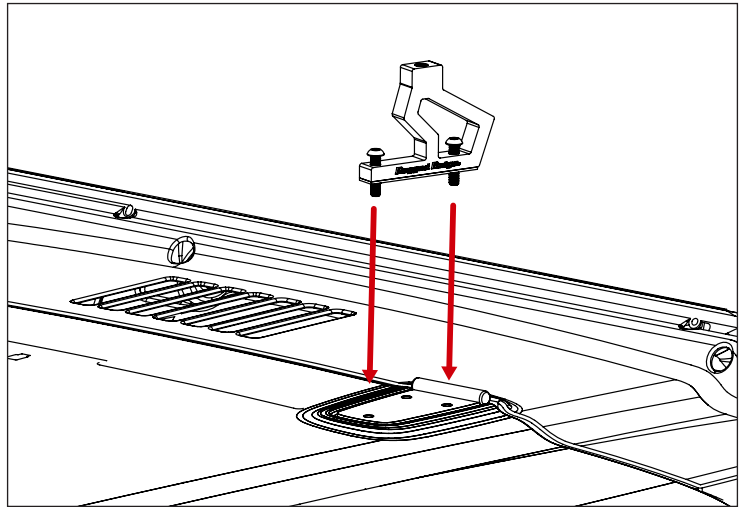
FOR WARRANTY INFORMATION VISIT: www.Omix-Ada.com

Offroad Jack Hood Mounting Bracket; 97-06

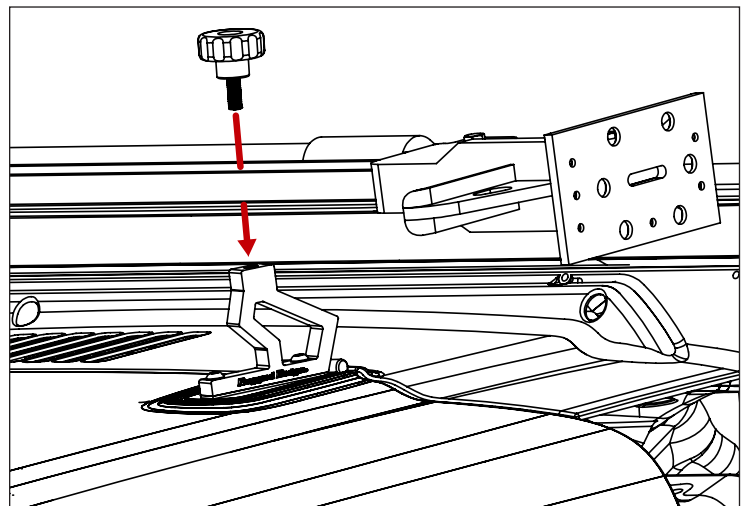
1. Remove 2 outer OE hood hinge bolts.



2. Loosely attach Hood Brackets to hood hinge using supplied M8 button head bolts.



3. Align Offroad Jack slotted holes to Hood Brackets and affix using supplied Thumb Screws.





OMIX-ADA, Inc.

460 HORIZON DR. SUITE 100 | SUWANEE, GA 30024 | PHONE: 770-614-6101 | FAX: 770-614-6069 | info@omix-ada.com

Offroad Jack Hood Mounting Bracket; 97-06

4. Tighten M8 button head bolts.

