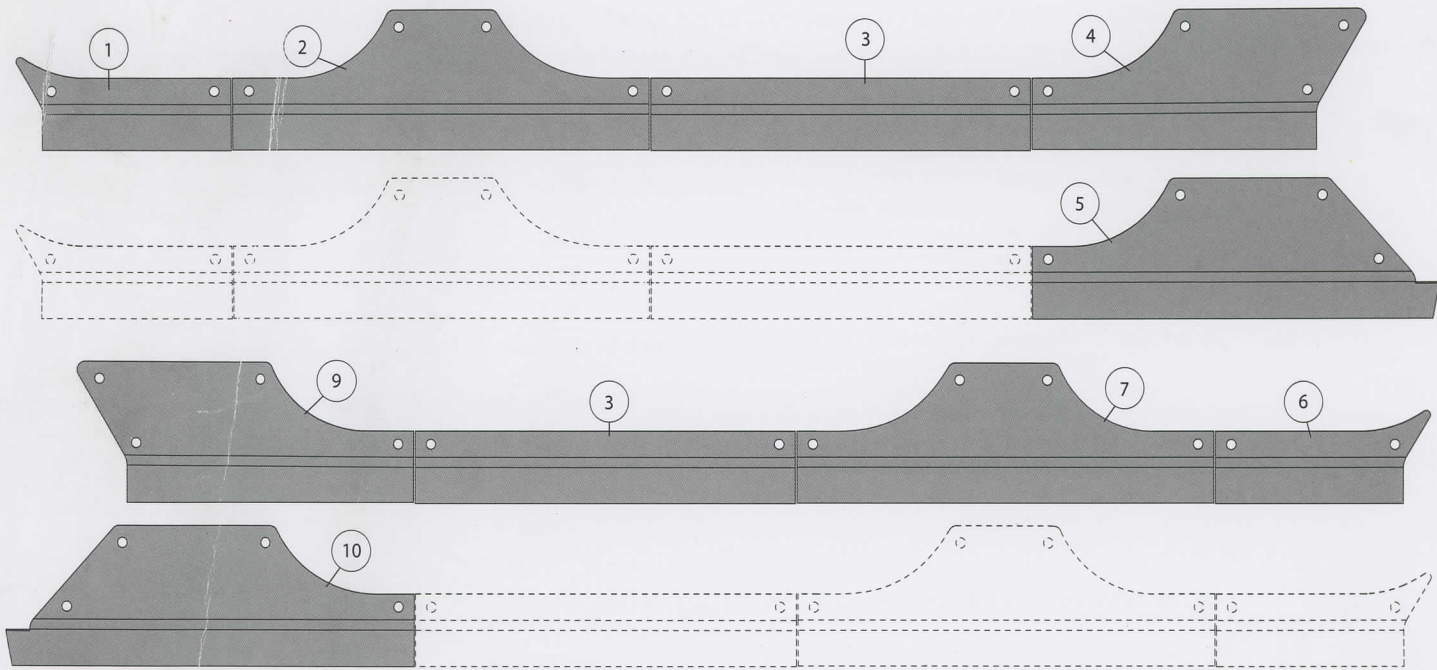


XHD Armor Cladding 4 Door, Jeep Wrangler 07-17



Components

- | | | | |
|--------------------------------------|-----|-------------------------------------|-----|
| 1. Rear Right Cladding | (1) | 6. Rear Left Cladding | (1) |
| 2. Middle Right Cladding | (1) | 7. Middle Left Cladding | (1) |
| 3. Front Door Cladding | (2) | 8. Front Left OE Fender Cladding | (1) |
| 4. Front Right OE Fender Cladding | (1) | 9. Front Left Armor Fender Cladding | (1) |
| 5. Front Right Armor Fender Cladding | (1) | | |

OMIX-ADA® TECHNICAL SUPPORT

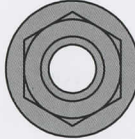
PHONE: M-F 8am - 5pm EST 1-800-449-6649 | EMAIL: techsupport@omix-ada.com

FOR WARRANTY INFORMATION VISIT: www.Omix-Ada.com

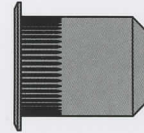
XHD Armor Cladding 4 Door, Jeep Wrangler 07-17



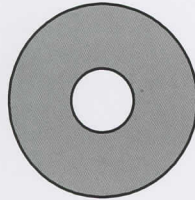
M10 Hex Bolt (1)



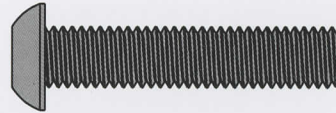
Rivet Nut Tool (1)



Rivet Nut (32)



M10 Washer (32)



M10 Button Head Bolt (32)

OMIX-ADA® TECHNICAL SUPPORT

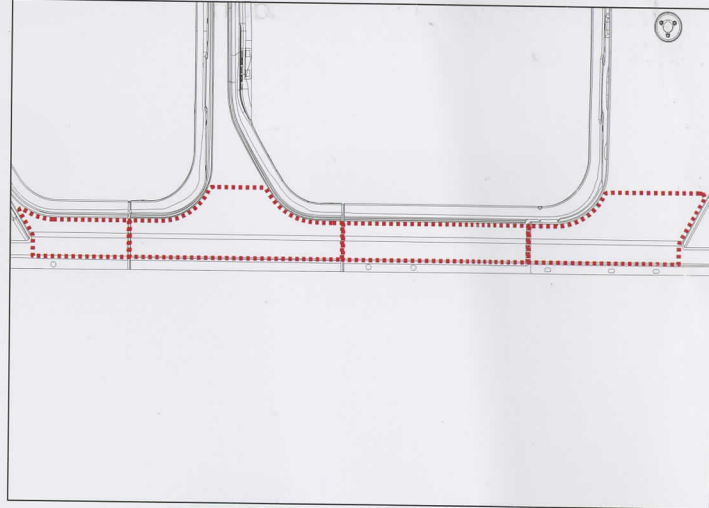
PHONE: M-F 8am - 5pm EST 1-800-449-6649 | EMAIL: techsupport@omix-ada.com

FOR WARRANTY INFORMATION VISIT: www.Omix-Ada.com

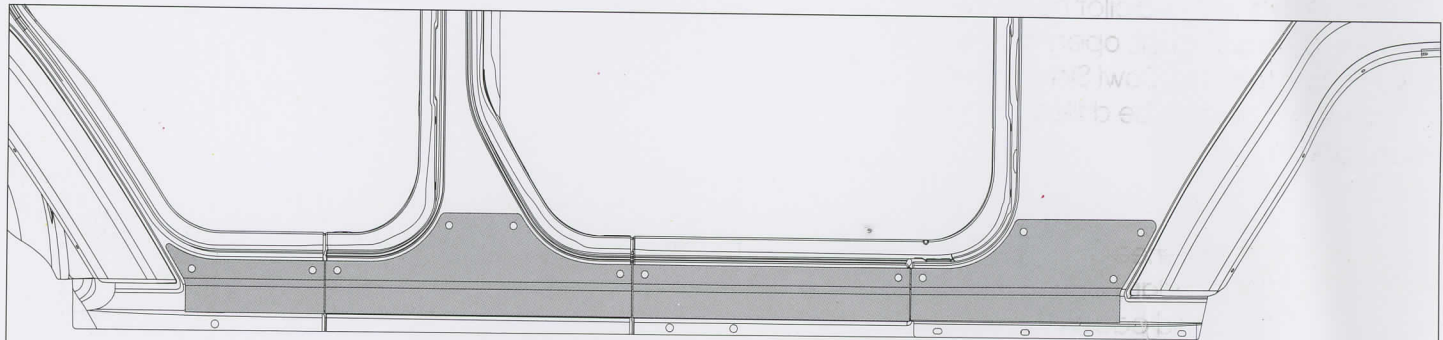
XHD Armor Cladding 4 Door, Jeep Wrangler 07-17

1. Remove any side steps. Clean around mounting area of XHD Armor Cladding.

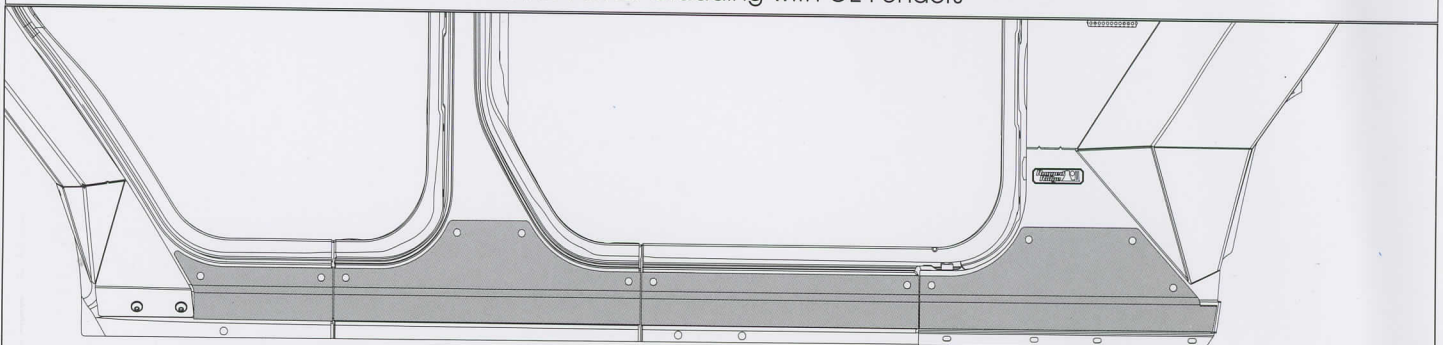
NOTICE Painter's tape can be used to protect vehicle paint from scratches during installation.



2. Using painter's tape, place driver side cladding pieces on vehicle. Align with vehicle door opening and fenders.



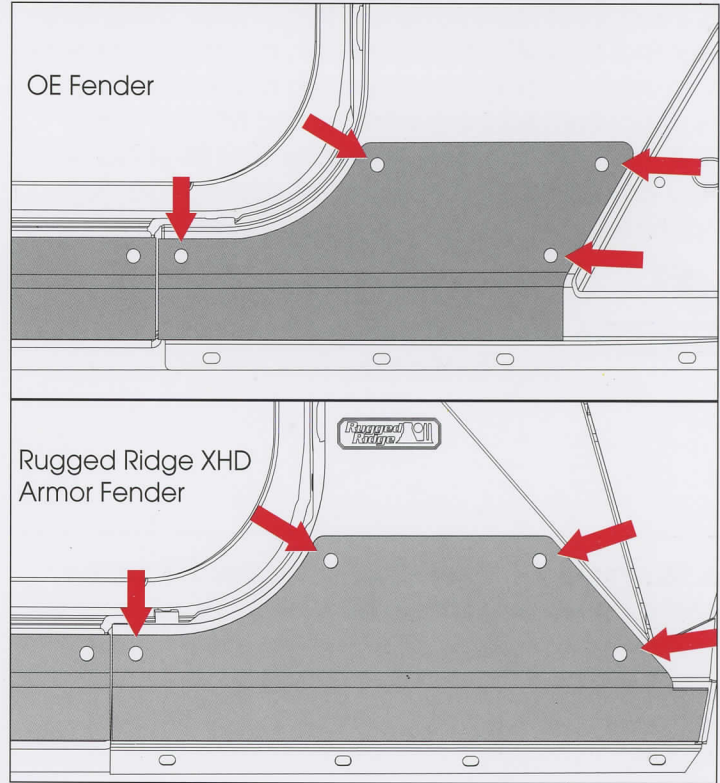
XHD Armor Cladding with OE Fenders



XHD Armor Cladding with XHD Armor Fender (11615.01 & 11615.02)

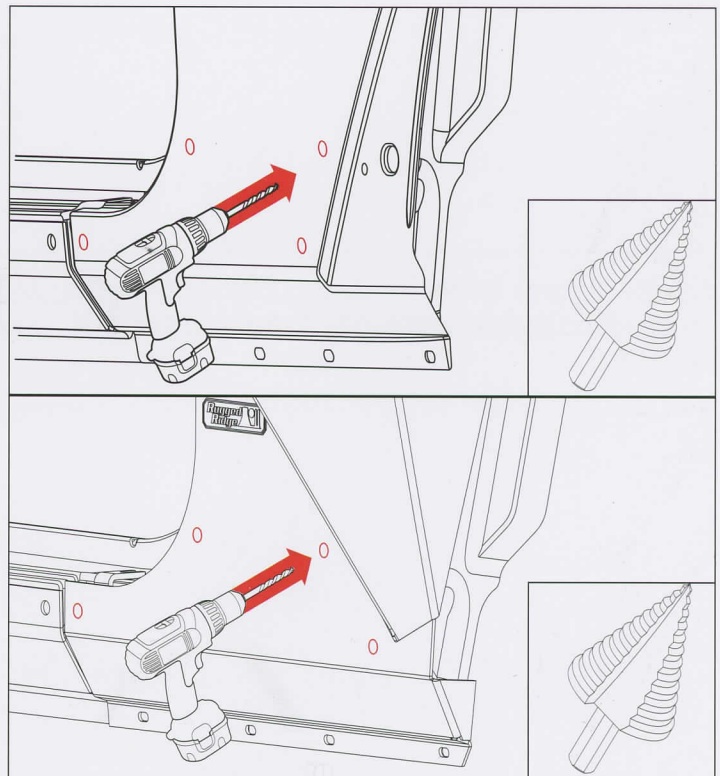
XHD Armor Cladding 4 Door, Jeep Wrangler 07-17

3. Mark mounting holes on Front Cladding. Remove Front Cladding.



4. Using 1/8" drill, make a pilot hole at four marked locations. Using a step bit, open hole to 13.5mm. For some locations the Cowl Side Panel behind the fender will also need to be drilled out too allow fitment of Rivet Nut.

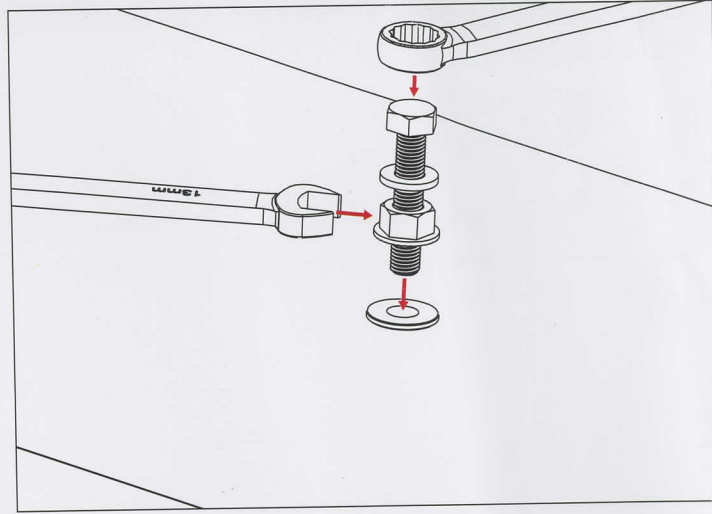
WARNING Thin sheet metal can cause standard drill bits to grab. This could cause injury.



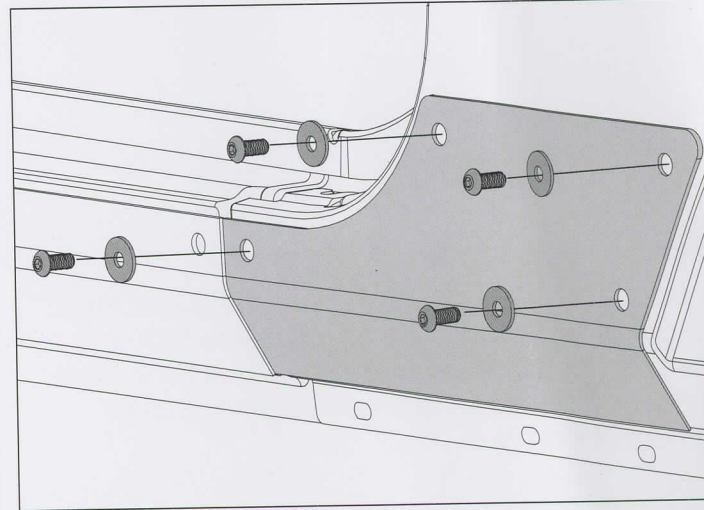
XHD Armor Cladding 4 Door, Jeep Wrangler 07-17

5. Insert Rivet Nut into newly drilled holes. Using Rivet Nut Tool and M10 Hex Head Bolt, collapse Rivet Nuts into vehicle panel. Use a wrench to prevent Rivet Nut Tool from spinning while turning M8 Hex Head Bolt. There will be slight resistance until Rivet Nut is fully collapsed. Rivet Nut can be damaged if over tightened.

NOTICE If the Rivet Nut is spinning, apply more force to Rivet Nut Tool.



6. Mount Front Cladding using collapsed Rivet Nut and supplied M10 hardware.



7. Repeat steps 3-6 for remaining cladding pieces on driver side while working from front to back of vehicle.

