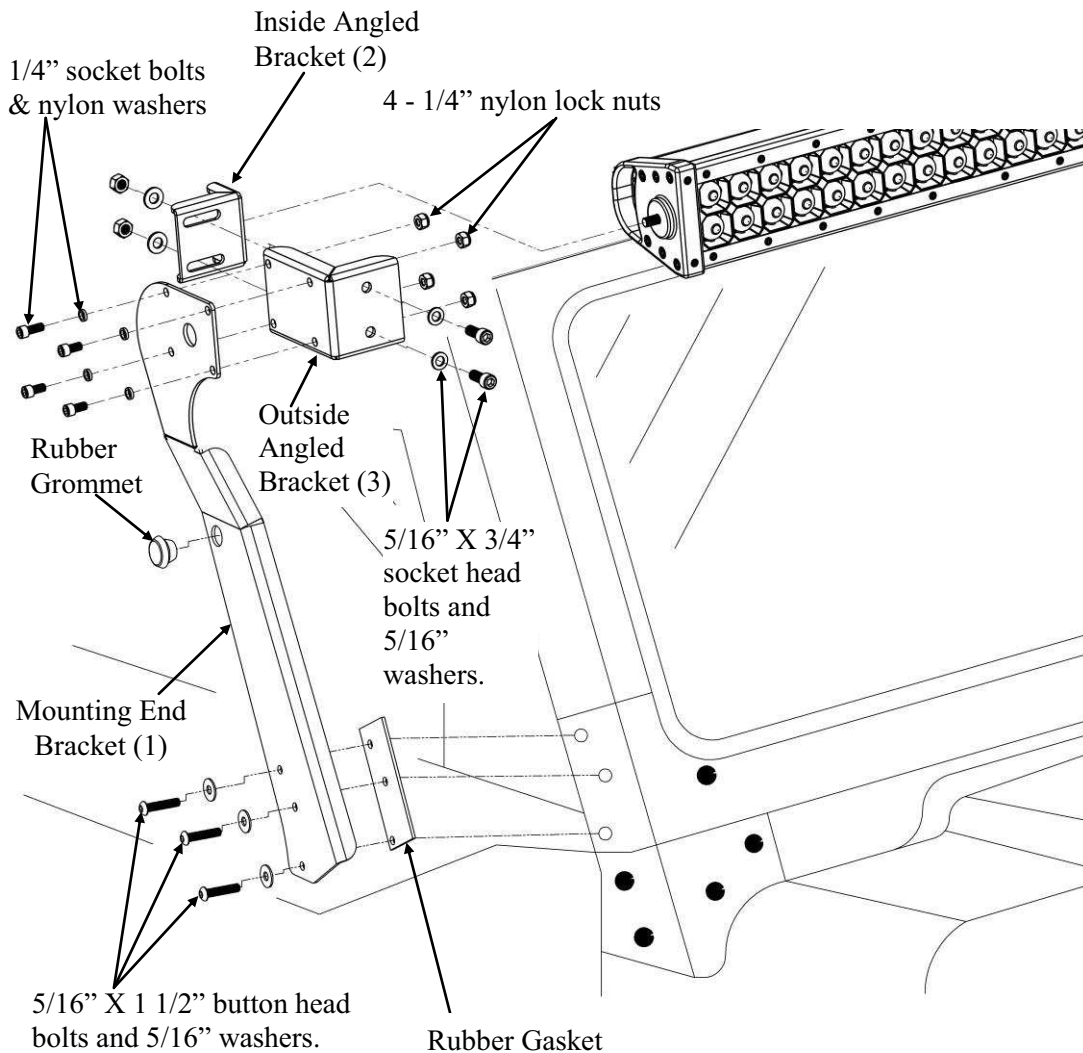


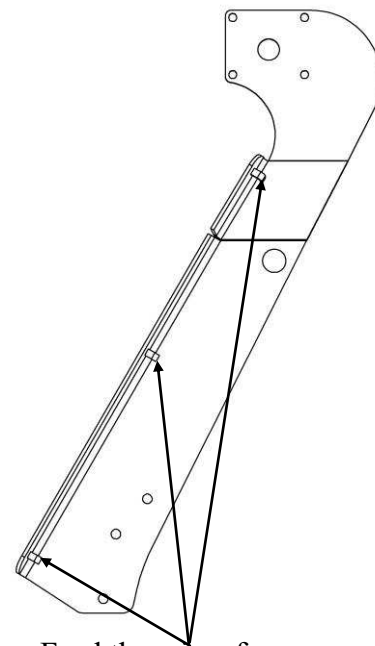
XRS JEEP ADJUSTABLE LED BRACKETS MOUNTING INSTRUCTIONS

Part No. 210771

Will only work with LED light bars 50" to 52" long



Detail A



Feed the wires from your lights through these three loops on back of the Mounting End Brackets.

5/16" X 1 1/2" button head bolts and 5/16" washers.

Rubber Gasket

NOTE 1: THIS HARDWARE REPLACES THE FACTORY TORX HARDWARE THAT YOU WILL NEED TO REMOVE.

TOOLS AND MATERIALS NEEDED: Wrench for T40 Torx and 3/16" Allen wrench, Loctite, 5/32" Allen wrench, 7/16" wrench/socket, 1/2" wrench/socket.

MATERIALS FURNISHED: Two Mounting End Brackets (1), two Inside Angled Brackets (2), Outside Angled Brackets (3) and one Hardware Pack.

THIS LIGHT BAR FITS THE FOLLOWING VEHICLES:

JEEP
'97 - '06 X/Sahara/Rubicon Wrangler



Quality and Style that Endures

Follow the diagram and the written directions carefully for a proper, safe installation.

Should you encounter an unusual, unforeseen problem, contact our Technical Help Line
7:00 AM – 3:00 PM Pacific Time
(951) 719-1068

Visit our web-site at
www.CARR.com

Carr Pattern Co., Inc.

XRS JEEP ADJUSTABLE LED BRACKETS MOUNTING INSTRUCTIONS

Part No. 210771

Will only work with LED light bars 50" to 52" long

WARNINGS!

- ✓ Do not over tighten the nuts and bolts or damage to the castings and or stripping of the threads could result.
- ✓ FOR SAFE AND PROPER USAGE OF THIS PRODUCT, THE MOUNTING INSTRUCTIONS MUST BE FOLLOWED CAREFULLY AND COMPLETELY.
- ✓ The manufacturer and distributor of this product are in no way responsible for the consumer's failure to adhere to the warnings and directions of these instructions in the event of damage to the consumer's vehicle, other properties and or personal injury.

1. Read these instructions through first to save yourself time when installing this product. (NOTE: Two people are required for this installation. See steps 7-10)
2. Take the black Rubber Grommet and twist it in the hole like you are screwing a bolt into a threaded hole until the smaller end comes all the way through. A little WD 40 on the grommet will help make this easier.
3. Take both of the Inside Angled Brackets (2) and mount it to each end of your LED light bar with the hardware that came with your LED light bar. Do not tighten all the way. Leave each bracket so it is able to move.
4. Take both of the Outside Angled Brackets (3) and fasten them to each Mounting End Bracket (1) with the 1/4" hardware provided. Securely tighten these four bolts.
5. Remove the factory Torx bolts with a T40 Torx wrench or a 3/16" Allen Wrench on the hinges where you will be installing this light bar assembly. These bolts will be replaced with our 5/16" X 1 1/2" button head bolts. Do this on both sides of the vehicle. Refer to **NOTE 1** on the drawing on the other side of this sheet.
6. Attached both Mounting End Brackets (1) to each side of the vehicle using the 5/16" hardware provided with the Rubber Gasket. Refer to **NOTE 1** on the drawing on the other side of this sheet. Securely tighten these bolts to the vehicle.
7. Now you will need two people for the next 3 steps.
8. Each person grab an end of the LED light bar with our Angled Brackets (2) installed and place the entire assembly inside both of the Outside Angled Brackets (3).
9. Take the four 5/16" X 3/4" bolts with the washers and nylon lock nuts and attached the LED light bar assembly to both of the Mounting End Brackets (1) assemblies.
10. Once you have centered the LED light bar assembly, securely tighten these bolts.
11. Now tighten the hardware that attaches to our Inside Angled Brackets (2) and your LED light.
12. Go back and retighten all hardware.
13. Refer to Detail A for feeding your wires from your light bar to your vehicle.
14. Now your light bar is ready to go.
15. **IMPORTANT:** By not following these mounting instructions completely and carefully, product failure could occur.

Carr Pattern Co., Inc.
Warranty Policy

Finishes: Limited Lifetime

Structural Warranty: Limited Lifetime

Warranty Conditions:

- a. All warranties start from consumer's date of purchase.
- b. A new product will be sent out immediately to replace a warranty claim.
- c. The above guidelines apply only to the Original Purchaser.
- d. Original proof of purchase must be submitted for all warranty and returns issues.

Warranty Limitations:

- a. Warranty coverage extends ONLY to repair or replacement of the CARR product. This warranty does not cover the cost of labor, transportation, installation or removal of the product.
- b. Warranty coverage does not extend to damage caused by: collision, fire, theft, freezing, vandalism, riot, explosion or object striking the product, or misuse of the product and/or the vehicle on which the product is being installed.
- c. Warranty coverage does not extend to damage caused by: airborne fallout (chemicals, tree sap, etc.), stones, hail, earthquake, water or flood, windstorm, lightning, the application of chemicals or sealants subsequent to manufacture.
- d. Warranty coverage does not extend to damages caused by: normal wear and tear, abuse, modification or improper installation of the product.
- e. Warranty coverage does not extend to any economic loss or extra expense including (without limitation), payment for the loss of time or pay, inconvenience, storage, loss of vehicle use, vehicle rental expense, equipment rental expense, lodging, meals, or other travel costs.

Other Terms:

This warranty gives you specific legal rights and you may also have other rights that vary from state to state. CARR does not authorize any person to create for it any other obligation or liability in connection with its products. ANY IMPLIED WARRANTY OF MERCHANTABILITY OR FITNESS FOR A PARTICULAR PURPOSE APPLICABLE TO THIS PRODUCT IS LIMITED IN DURATION TO THE DURATION OF THIS WRITTEN WARRANTY. PERFORMANCE OF REPAIRS AND NEEDED ADJUSTMENTS IS THE EXCLUSIVE REMEDY UNDER THIS WRITTEN WARRANTY OR ANY IMPLIED WARRANTY. CARR SHALL NOT BE LIABLE FOR INCIDENTAL OR CONSEQUENTIAL DAMAGES RESULTING FROM BREACH OF THIS WRITTEN WARRANTY.*

*Some states do not allow limitations on how long an implied warranty will last or the exclusion or limitation of incidental or consequential damages, so that above limitations or exclusions may not apply to you.

Guarantee: Every attempt has been made to manufacture and distribute the finest quality products available. Our manufactured products are guaranteed to be free of defects due to workmanship or materials. Distributed products are subject to manufacturer's warranty only.

CARR • 27447 Bostik Court • Temecula CA 92590