

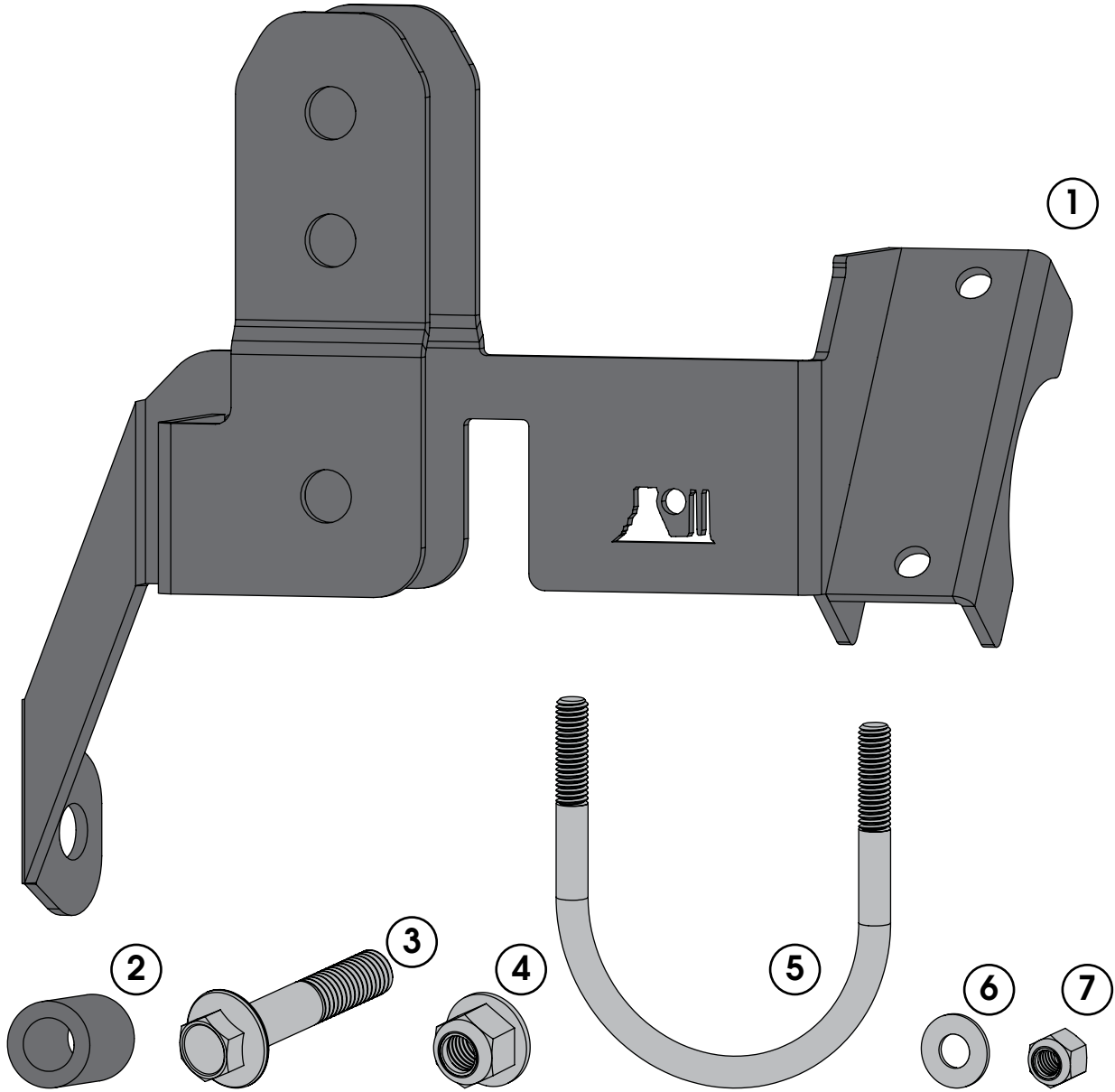


OMIX-ADA, Inc.

Part # 18303.81

460 HORIZON DR. SUITE 400 | SUWANEE, GA 30024 | PHONE: 770-614-6101 | FAX: 770-614-6069 | info@omix-ada.com

# Rear Track Bar Relocation Bracket



## Components

- |                                      |     |                       |     |
|--------------------------------------|-----|-----------------------|-----|
| 1. Rear Track Bar Relocation Bracket | (1) | 5. U-Bolt             | (1) |
| 2. Spacer                            | (1) | 6. 3/8" Flat Washer   | (2) |
| 3. M14 Bolt                          | (1) | 7. 3/8" Nylon Locknut | (2) |
| 4. M14 Flanged Nylon Lock Nut        | (1) |                       |     |

### OMIX-ADA® TECHNICAL SUPPORT

PHONE: M-F 8am - 5pm EST 1-800-449-6649 | EMAIL: techsupport@omix-ada.com

FOR WARRANTY INFORMATION VISIT: [www.Omix-Ada.com](http://www.Omix-Ada.com)

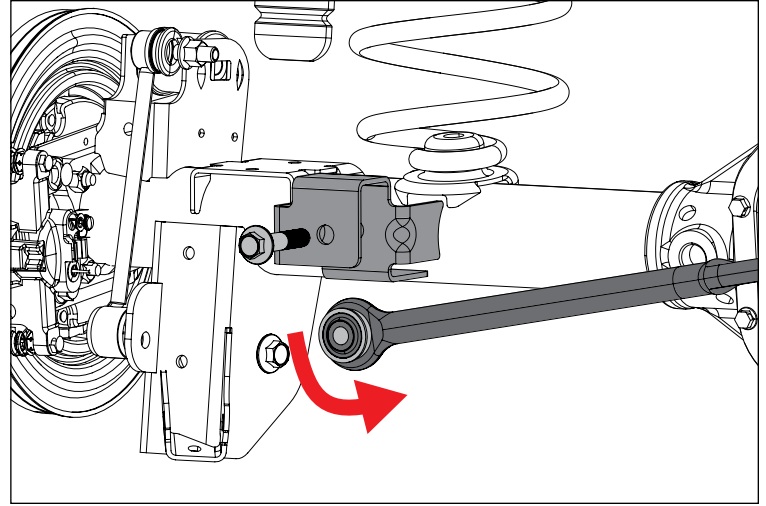


OMIX-ADA, Inc.

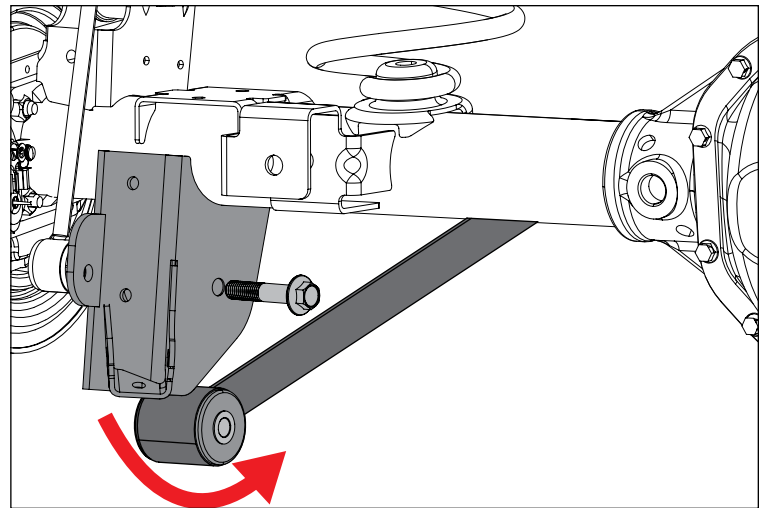
460 HORIZON DR. SUITE 400 | SUWANEE, GA 30024 | PHONE: 770-614-6101 | FAX: 770-614-6069 | info@omix-ada.com

## Rear Track Bar Relocation Bracket

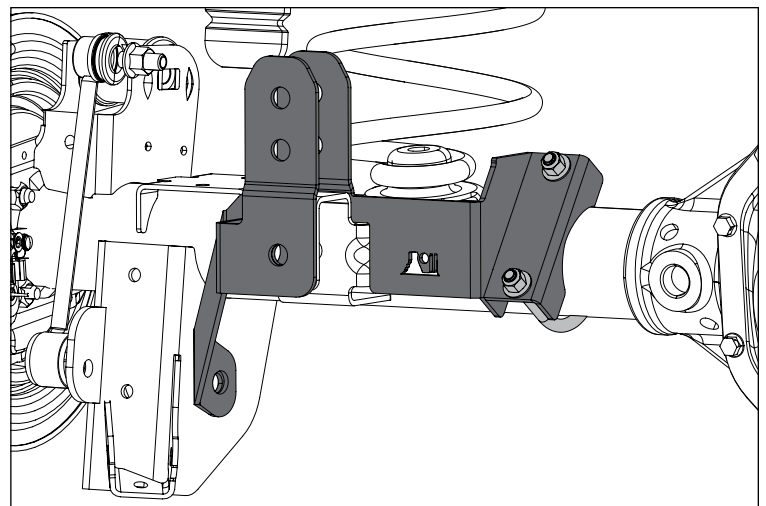
1. Remove rear track bar from axle tube bracket and rotate track bar out of way.



2. Remove driver side rear lower control arm from axle tube bracket.



3. Install Rear Track Bar Relocation Bracket over top of stock track bar mounting bracket and loosely install U-Bolt around axle tube using supplied 3/8" hardware.



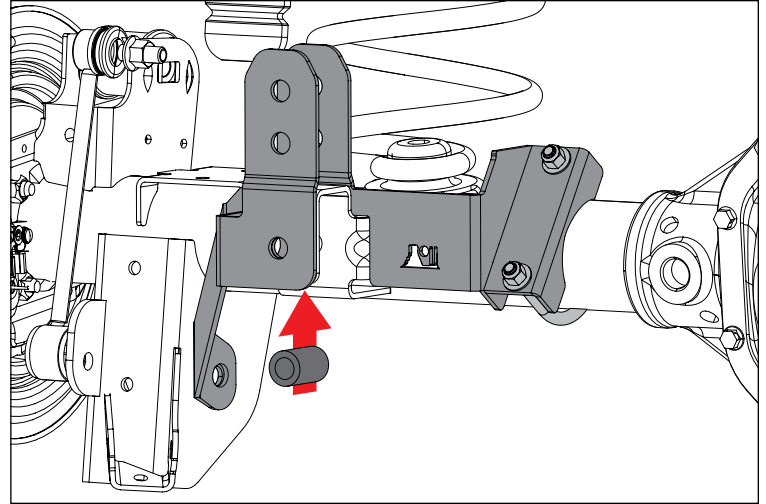


OMIX-ADA, Inc.

460 HORIZON DR. SUITE 400 | SUWANEE, GA 30024 | PHONE: 770-614-6101 | FAX: 770-614-6069 | info@omix-ada.com

## Rear Track Bar Relocation Bracket

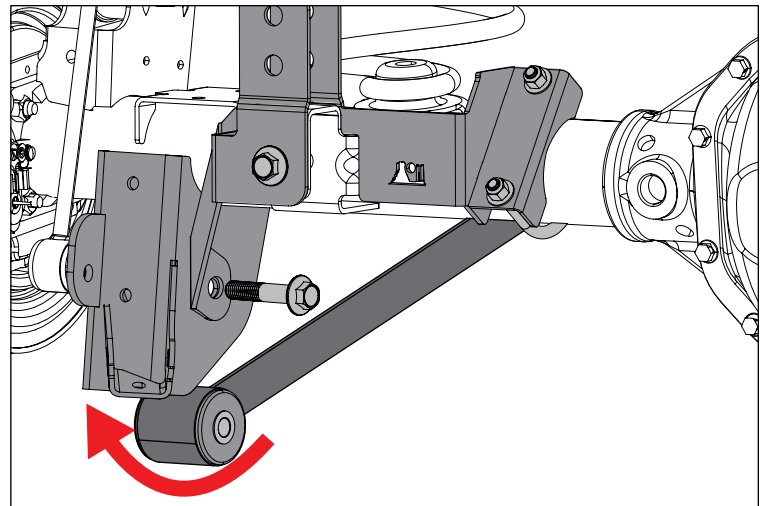
4. Install Spacer in stock track bar bracket using stock track bar hardware.



5. Reattach lower control arm to axle tube bracket. Torque to 125 ft.-lbs.

### **WARNING**

Failure to tighten to proper torque specification could result in serious injury or property damage.



6. Attach rear track bar to Rear Track Bar Relocation Bracket using supplied M14 hardware. Install in lower hole for lift up to 3" or upper hole for lift up to 5". Torque to 125 ft.-lbs. Torque 3/8" Nylon Lock Nuts to 45 ft.-lbs.

### **WARNING**

Failure to tighten to proper torque specification could result in serious injury or property damage.

