



OMIX-ADA, Inc.

Part # 11580.04

460 HORIZON DR. SUITE 400 | SUWANEE, GA 30024 | PHONE: 770-614-6101 | FAX: 770-614-6069 | info@omix-ada.com

## Receiver Hitch TJ/LJ

### WARNING

DO NOT exceed vehicle manufactures recommend towing capacity.

Gross load capacity when used as a weight carrying hitch: Up to 3,500 lbs trailer towing and 350 lbs tongue weight.

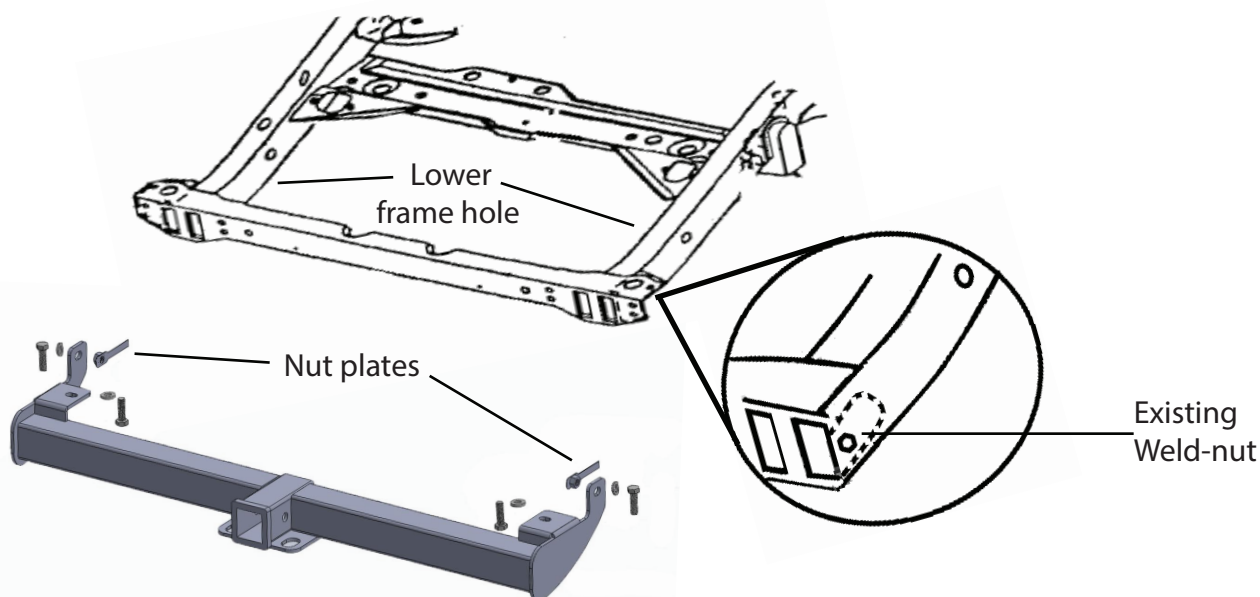
Example weight carrying limits:

4cyl Wrangler- 1000 lbs

6cyl Wrangler- 2000 lbs

6cyl Wrangler Unlimited- 3500 lbs

Consult factory owners manual for vehicle specific weight limits. DO NOT exceed vehicle towing capacities.



1. Remove existing bolt from bumper attachment on driver and passenger side.
2. Remove tow hooks if equipped.
3. Note: Clean weld nuts thoroughly prior to installation of hitch. Use of cleaner and wire brush may be necessary.
4. Raise hitch into position and secure with hardware as shown. Hardware attaching to weld-nut from Step 1 will vary by vehicle. Use either 7/16" bolt or M12 bolt and washer.
5. Insert nut plates thru lower frame hole. Insert bolt from the side of the frame. Repeat for other side.
6. Torque 1/2" hardware to 110 lb-ft, 7/16" hardware to 70 lb-ft, and M12 hardware to 79 lb-ft.

PERIODICALLY CHECK THIS RECEIVER HITCH TO ENSURE THAT ALL FASTENERS ARE TIGHT AND THAT ALL STRUCTURAL COMPONENTS ARE SOUND

#### OMIX-ADA® TECHNICAL SUPPORT

PHONE: M-F 8 am - 5 pm EST 1-800-449-6649 EMAIL: techsupport@omix-ada.com

FOR WARRANTY INFORMATION VISIT: [www.Omix-Ada.com](http://www.Omix-Ada.com)