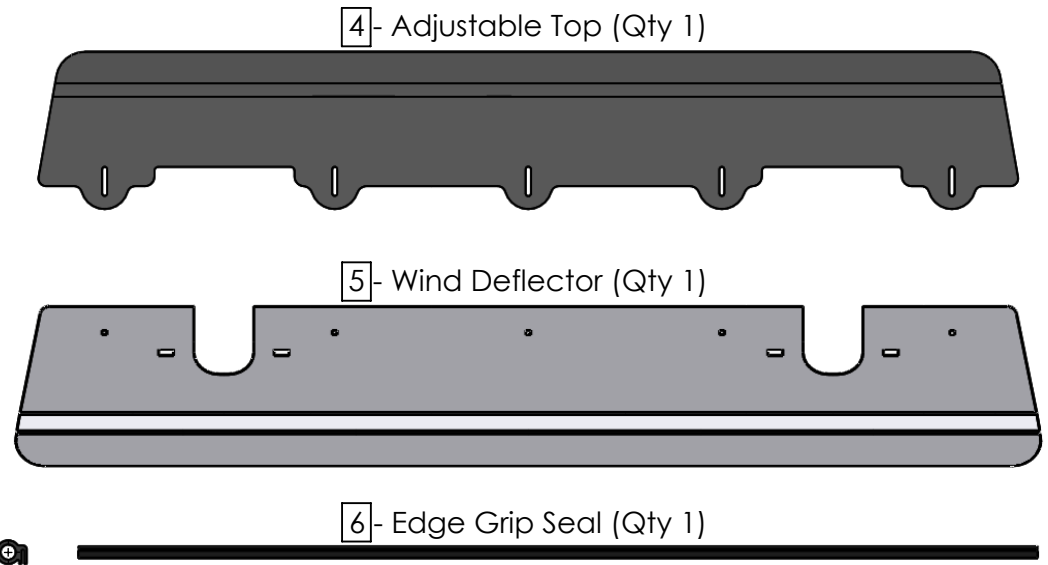
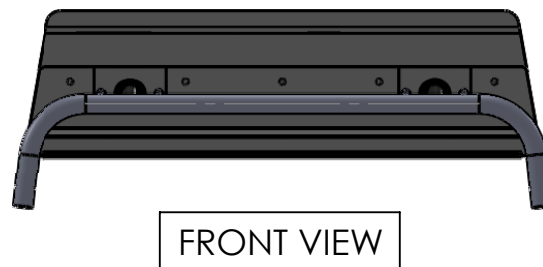
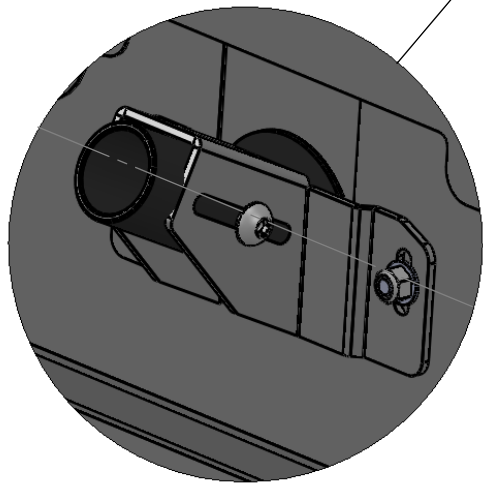
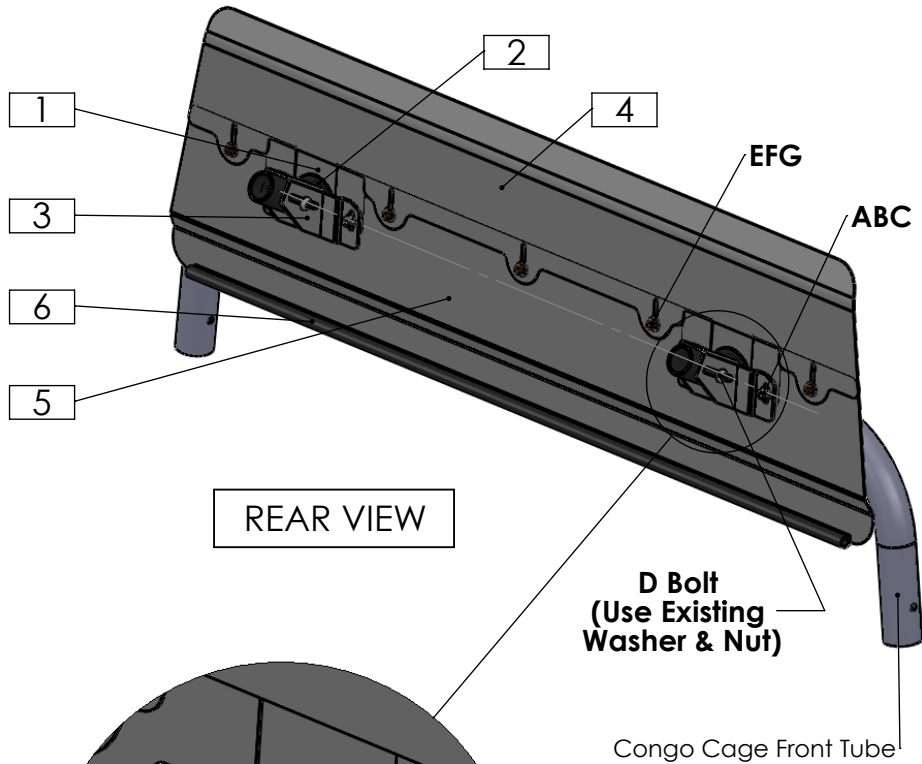


# 60161 Congo Cage Wind Deflector



For Technical Support Call (800) 343-7486



## Hardware Kit

- A - 4 each 5/16-18 x 3/4 Carriage Bolt
- B - 6 each 5/16 SAE Flat Washer
- C - 6 each 5/16-18 Nylock Nut
- D - 2 each 5/16 x 2 1/4 Button Head Bolt
- E - 5 each 1/4-20 x 3/4 Carriage Bolt
- F - 5 each 1/4 SAE Flat Washer
- G - 5 each 1/4-20 Nylock Flange Nut