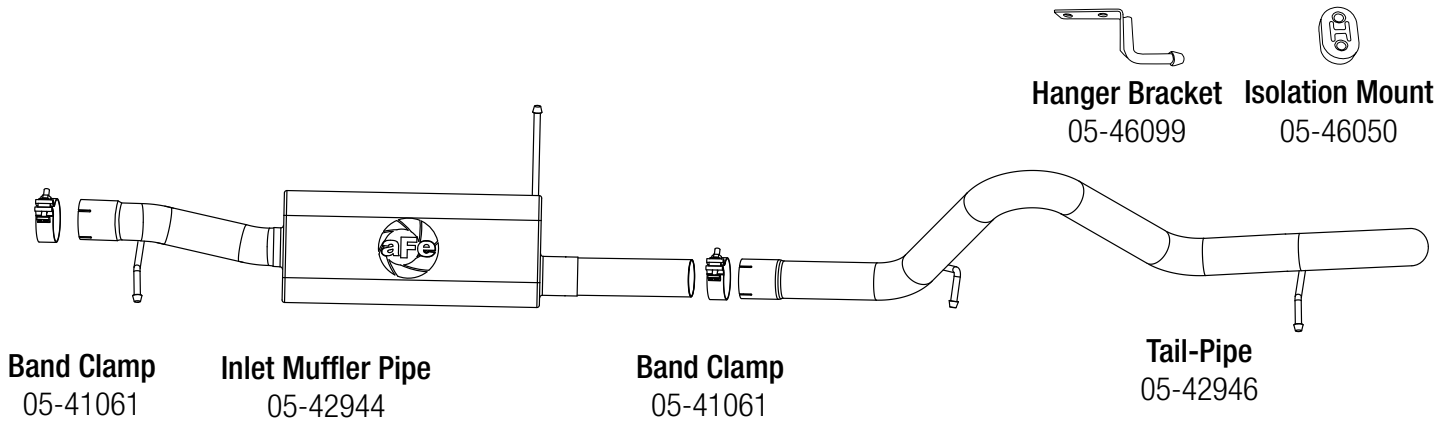




## INSTALLATION INSTRUCTIONS

MAKE: Jeep  
MODEL: Wrangler (JK)  
YEAR: 2007-2017  
ENGINE: V6-3.6L/3.8L (4-Door)

Cat-Back Hi-Tuck  
Aluminized Steel  
49-08040



**Caution:** Allow time for your vehicle to cool down prior to installation. When working on or under your vehicle proceed with caution. Exhaust systems reach high temperatures and may cause serious burns. Wear protective safety equipment; eye goggles and gloves to ensure a safe installation.

**Step 1:** BEFORE STARTING ANY OF THE STEPS BELOW, ENSURE THAT THE VEHICLE IS COLD AND HAS NOT BEEN RUN FOR A MINIMUM OF 2 HOURS. ALWAYS WEAR EYE PROTECTION WHEN PERFORMING INSTALL.

**Step 2:** Secure vehicle on jack stands (Refer to your manual for specified jack stand positions).

**Step 3:** Loosen the band clamp securing the OE muffler to the mid pipe.

**Step 4:** Remove the muffler off the rubber hanger mounts and then slide off the mid pipe.

**Step 5:** Loosen the band clamp securing the OE mid pipe to the y-pipe.

**Step 6:** Remove the OE mid pipe off the rubber hangers and then slide off the y-pipe.

**Step 7:** Remove the (x2) bolts (See photo) and install the aFe hanger bracket assembly (p/n: 05-46099) and rubber hanger mount. Re-install the (x2) bolts and tighten.

**Step 8:** Slide the band clamp onto the muffler pipe and install muffler pipe onto the factory y-pipe, then slide the hanger into the rubber isolation mount. Do not tighten the band clamp.

**Step 9:** Attach the muffler pipes rear hanger onto the hanger brackets rubber isolation mount (shown in photo below).



**Step 10:** Using (x1) supplied 2.5" band clamp, install the aFe Tail Pipe onto the Muffler Pipe and rubber hanger mounts but do not tighten.

**Step 11:** Align aFe exhaust system and then tighten all band clamps and assembly bracket.

**Step 12:** Re-check all your work.

**Step 13:** Remove vehicle off jack stands.

**NOTE:** It is normal for the aFe Exhaust System to emit smoke for the first few minutes upon initial start-up.