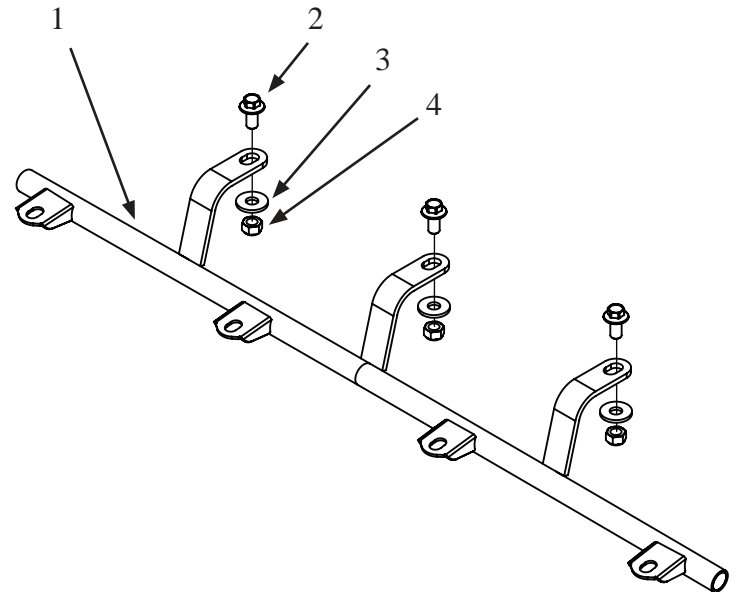


Contents:

- |  | QTY |
|--|-----|
| 1. Light Bar Lowering Kit              | (1) |
| 2. M12 x 30 Hex Bolts                  | (3) |
| 3. M12 Standard Washers                | (3) |
| 4. M12 Nylon-Insert Hex Locknuts       | (3) |
| 5. M8 Oversized Washers<br>(not shown) | (4) |



**NOTE: This part is only intended for use with Red Rock 4x4 Full Frame Light Bar (Part No. 11232.21).**

**NOTICE**

Please read and understand all instructions before proceeding

1. Attach the Light Bar Lowering Kit to the Light Bar (11232.21) using the hex bolts, washers, and hex locknuts. **DO NOT TIGHTEN.**



2. Push the brackets of the Light Bar Lowering Kit until they are flush against the Full Frame Light Bar. Tighten the hex bolts.



3. Install lights.

