

# REDROCK<sup>4X4</sup>

## Installation Instructions

Description: Max-HD Stubby Front Bumper w/LED Fog Lights & Winch Mount

| No. | Description                      | Qty | Size   | No. | Description | Qty | Size |
|-----|----------------------------------|-----|--------|-----|-------------|-----|------|
| 1   | Hex nut                          | 8   | M10    | 3   | Lock washer | 8   | D10  |
| 2   | Hexagon socket button head screw | 8   | M10x40 | 4   | Washer      | 16  | D10  |

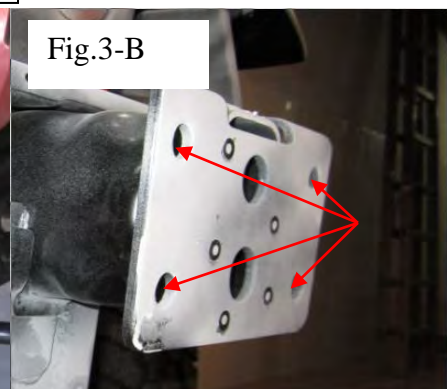
**Installation Steps:**

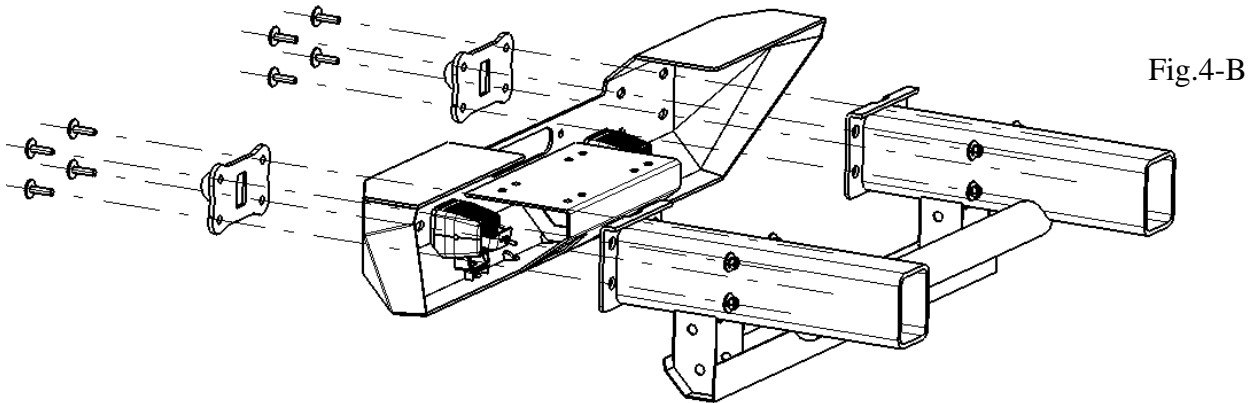
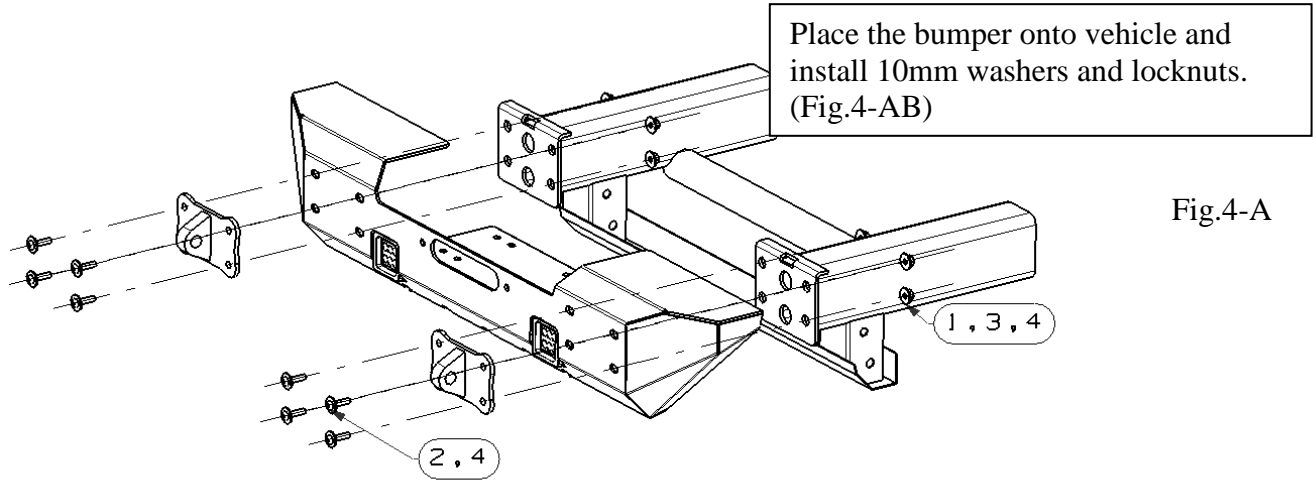
1. Reference parts lists and installation drawings, check the accessories are complete.
2. Remove the factory bumper & the frame bracket, to fix the bumper to the frame with the screws. (Fig.1 & Fig.2 & Fig.3AB)
3. All bolts are screwed on and adjust the best position to slowly tighten all bolts.
4. Check for leakage on the bolts, make sure tighten all the bolts.

**Installation Diagram:**



Remove the plastic bumper & the frame bracket (Fig.1 & Fig.2 & Fig.3AB)





Car Frame

M10 Washer, Lock nut, Nut.