

REDROCK^{4x4}

Installation Instructions

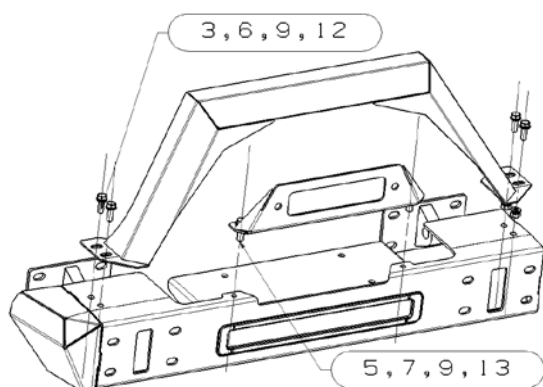
Description: Max-HD Full Width Front Bumper w/ Winch Mount and Optional LED Light Bar, Fog Lights.

#	Description	Qty	Specification	#	Description	Qty	Specification
1	bumper	1		8	Hexagonal nut	8	M6
2	Inner hexagon cylinder head screw	8	M6x20	9	Spring washer	18	D10
3	Hexagon head bolt	10	M10x30	10	Spring washer	2	D12
4	Hexagon head bolt	8	M10x40	11	Spring washer	8	D6
5	Hexagon head bolt	2	M12x35	12	Flat washer	36	D10
6	Hexagonal nut	18	M10	13	Flat washer	4	D12
7	Hexagonal nut	2	M12	14	Flat washer	8	D6

Installation Steps:

- 1: Check if the accessories are complete.
- 2: Install the bumper according to the picture.
- 3: Tighten all bolts.

1. First install the cover and guide cover.



2. Install the wing, and install the bumper to the vehicle.

