

REDROCK^{4X4}

Installation Instructions

Description: Defender Full Width Bumper w/ Winch Mount (JK)

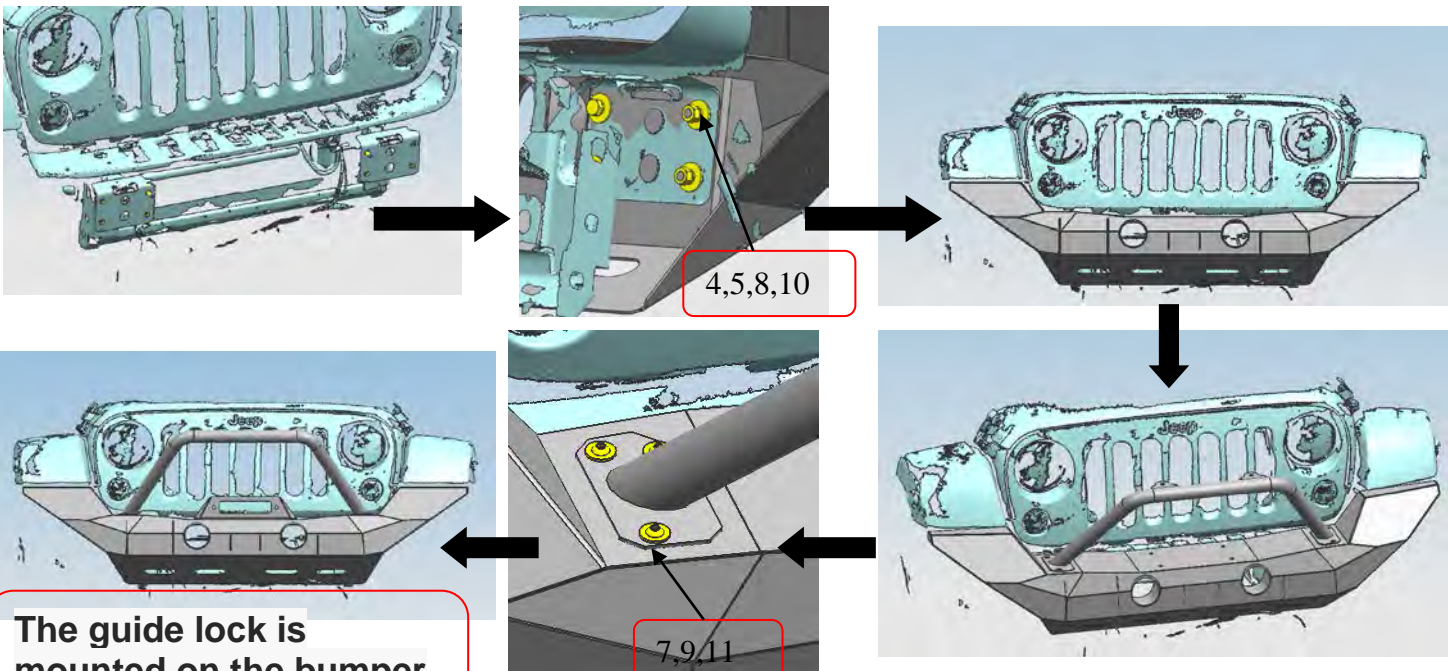
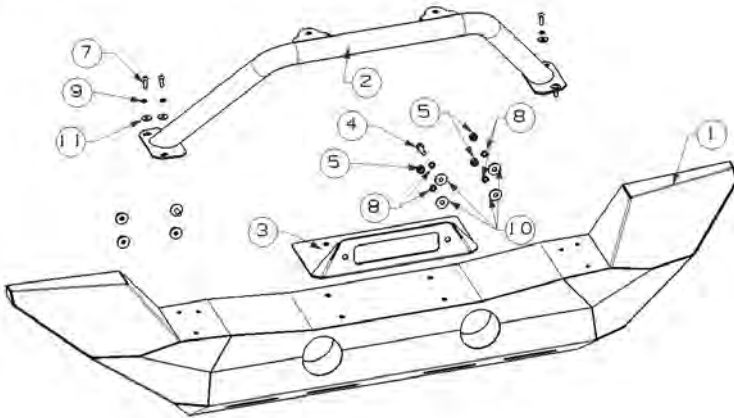
#	Description	Qty	Specificati on	#	Description	Qty	Specificatio n
1	Bumper	1		7	Inner hexagon flat head screw	6	M8x25
2	The mounting bracket	1		8	Spring washer	8	D10
3	Lock guide	1		9	Spring washer	6	D8
4	Hexagon head bolt	2	M10x30	10	Enlarged washer	8	D10
5	Hexagonal nut	6	M10	11	Enlarged washer	12	D8
6	Hexagonal nut	6	M8				

Installation Steps:

1 . Remove the original bumper first.



2 . Check the bumper to install the main body and install accessories according to the above checklist.



The guide lock is mounted on the bumper with the winch