



JEEP XJ WINCH BUMPER

Thank you for choosing Rough Country for all your suspension needs.

Please read instructions before beginning installation. Check the kit hardware against the parts list. Be sure you have all needed parts and know where they go. Also please review tools needed list and make sure you have needed tools.

PRODUCT USE INFORMATION

Please read instructions before beginning installation. Check the kit hardware against the parts list and product layout. Be sure you have all needed parts and know where they go. Also please review tools needed list and make sure you have needed tools.

If questions exist we will be happy to answer any questions concerning the function and correct use of this product.

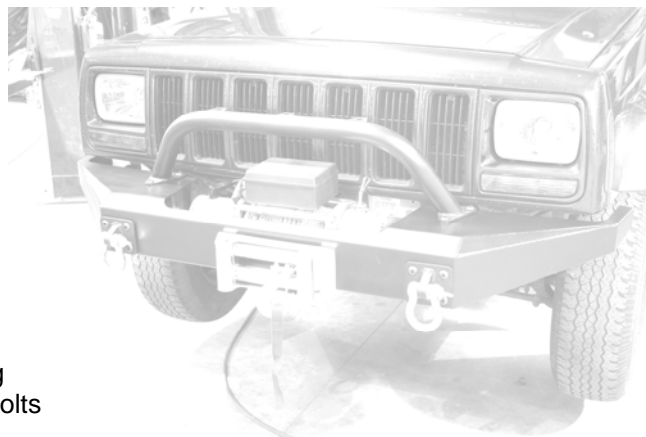
The installer must verify that the mounting kit does not interfere with the factory air bag sensors, which must not be relocated or modified in any way. The vehicles air bag system may not operate properly if the winch mounting kit is not mounted in compliance with the vehicle manufacturers recommendations.

Optional Accessories are available for the Rough Country winch bumper including: See back page for info:

Part # 1055...Stinger
Part # 1056...Light Bar / Winch Guard
Part # 1058...D-Ring Kit

Kit Contents:

- 1057Box1
Bumper
- 1057Box2
Winch Plate
Frame Brackets
- 1057BAG1-
 - 22-1/2" x 1 1/2" Bolt
 - 22-1/2" Lock nuts
 - 44-1/2" Flat Washers
 - 4-7/16" x 4" Bolts
 - 4-7/16" x 1 1/4" Bolts
 - 14-7/16" Flat Washers
 - 6-7/16" Lock Nuts
 - 2-10mm x 35mm
 - 2-10mm Flat Washers
 - 2-12mm x 35mm Bolts
 - 2-12mm Flange Lock nuts
- 1057BAG3-Accessory Hardware Bag
 - 14-1/2" X 1 1/2" Allen Head Bolts
 - 14-Lock Nuts

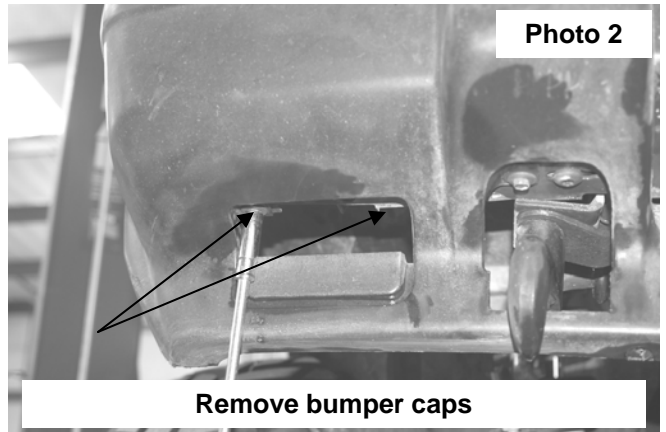
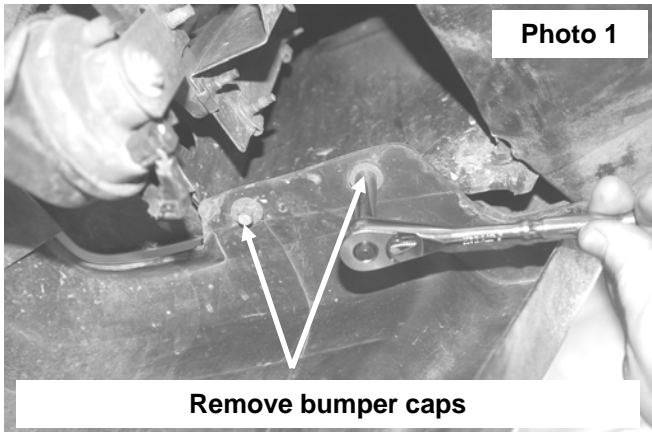


Tools Needed:

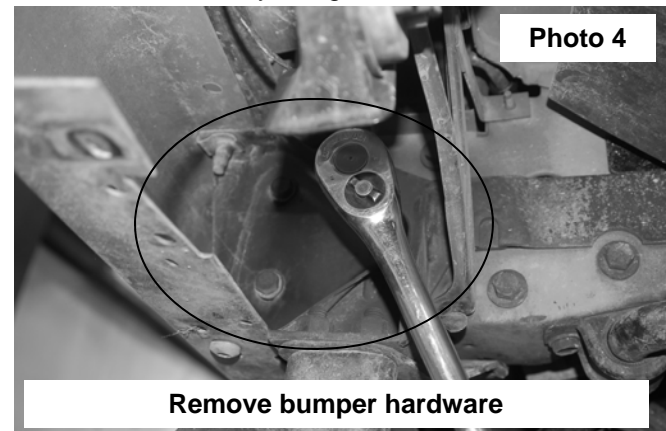
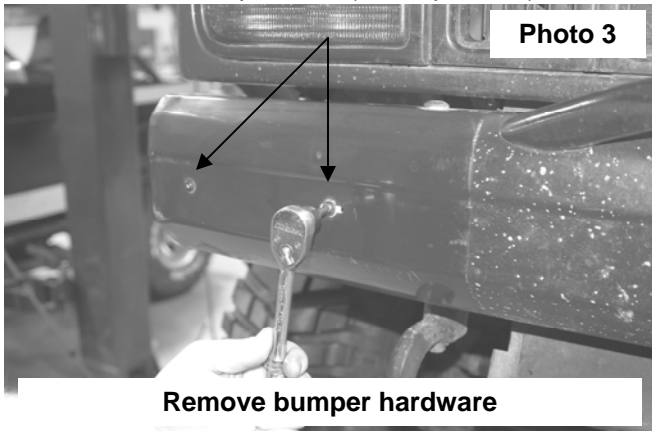
- 9/16" Socket/ Wrench
- 3/4" Socket / Wrench
- Drill Motor
- 15/32" Drill Bit
- T30 Torx Head Bit
- T55 Torx head
- 5/16" Allen Head Wrench
- Ratchet

INSTALLATION INSTRUCTIONS

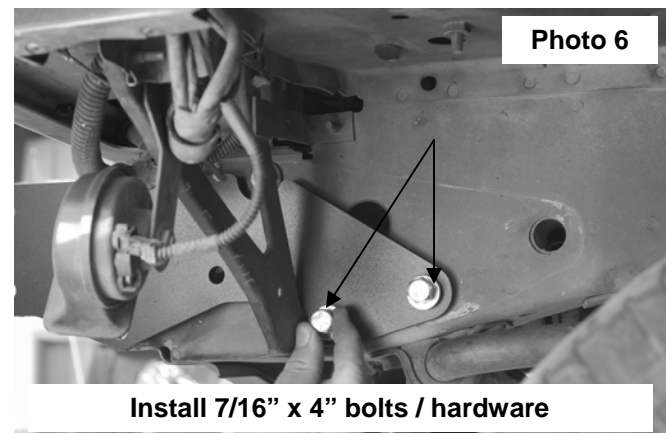
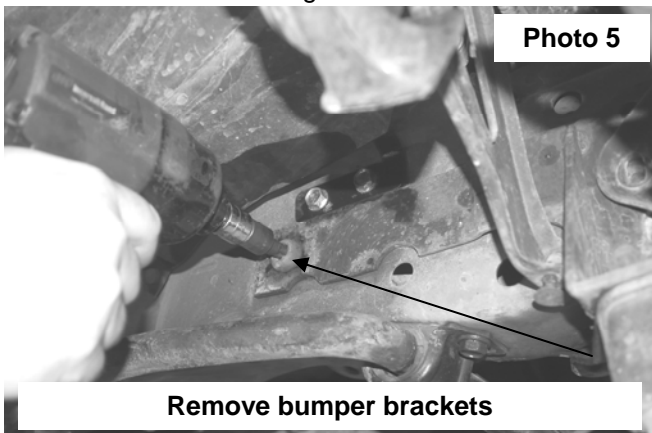
1. Place vehicle on a flat surface and set emergency brake.
2. Remove the front bumper end caps as shown in **Photo 1 & Photo 2** using a 10mm wrench and remove the cap from the bumper.



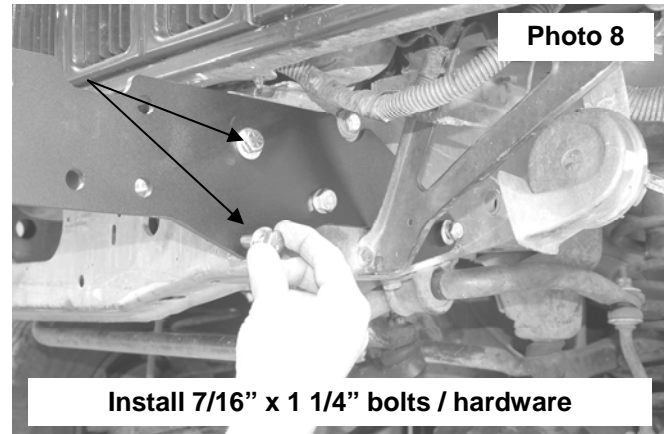
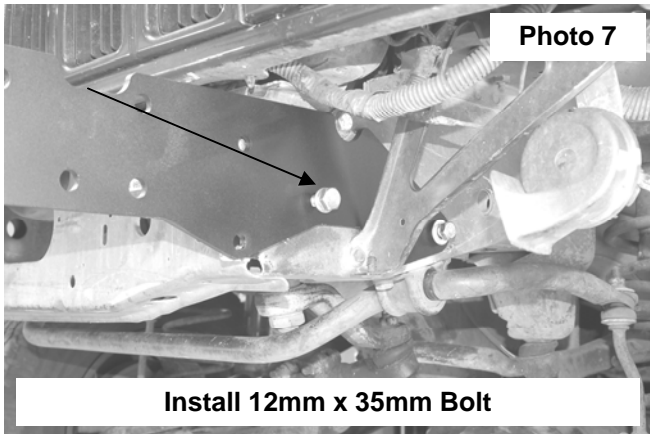
3. Remove the bumper as shown in **Photo 3** by removing the bolts using a T30 torx head bit wrench.
4. Remove the bumper bolts (three per side) as shown in **Photo 4** from the uni-body using a 15mm socket.



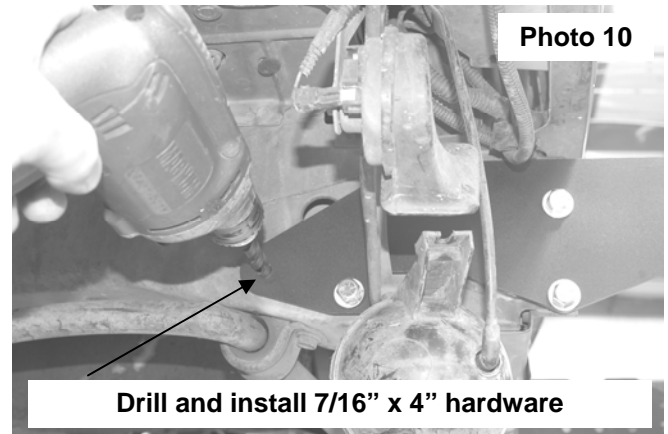
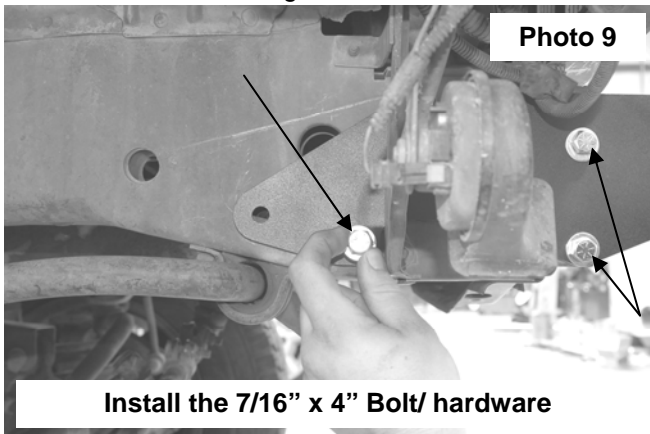
5. Remove the rear most bumper bolt from the uni-body using a T55 torx bit. **See Photo 5.**
6. Remove the bumper from the vehicle.
7. Install the bumper bracket on the frame as shown with the 7/16" x 4" bolts, washers and lock nuts on the driver side. **See Photo 6.** Do not tighten until all bolts have been installed.



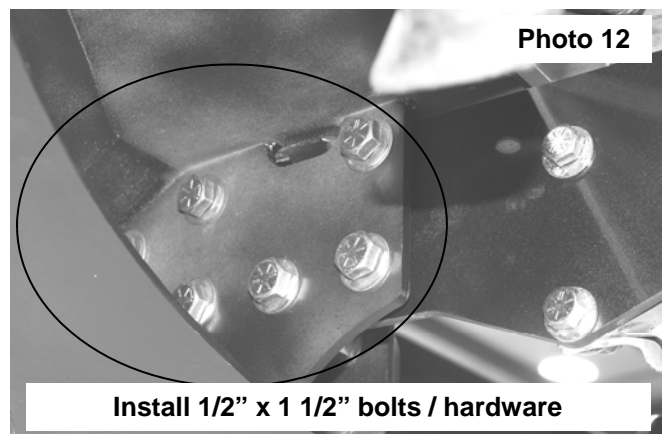
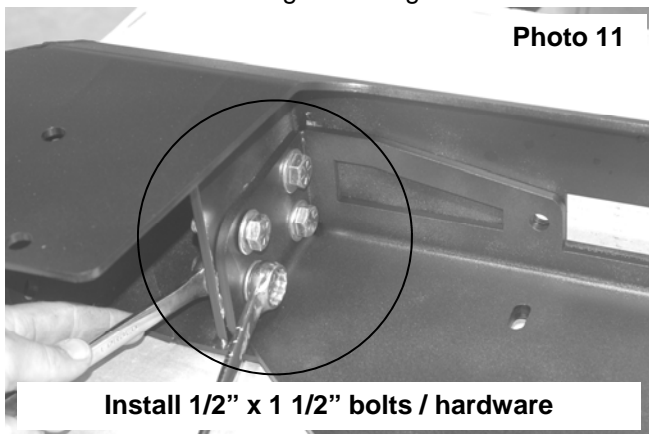
8. Install the supplied 10mm x 35mm bolts as shown in the bracket and threaded hole in the uni-body. (Driver Side Shown) Do not tighten until all bolts are installed in bracket. **See Photo 7.**
9. Install the supplied 7/16" x 1 1/4" bolts, washer and lock nuts as shown in **Photo 8.**



10. Proceed to pass side to install bracket.
11. Place the bracket on the uni-body and install the forward 7/16" x 4" bolt, washers & lock nuts, the 10mm x 35mm bolt in threaded hole in uni-body and the two 7/16" x 1 1/4" bolts, washers and lock nuts. **See Photo 9.**
12. Drill the rear hole using a 15/32" drill bit and install the 7/16" x 4" bolts, washers and lock nut. **See Photo 10.**



13. Tighten the 7/16" hardware using a 9/16" socket/ wrench and the 10mm using a 17mm socket.
14. Install the winch plate in the bumper as shown with the supplied qty 8 (4 per side) 1/2" x 1 1/2" bolts, washers and lock nuts. Tighten with a 3/4" socket / wrench only after both sides of the winch plate has been installed in the bumper. **See Photo 11.**
15. Install the bumper on the bumper brackets with the supplied qty 14 (7 per side) 1/2" - 1 1/2" bolts, washers and lock nuts. **See Photo 12.** Tighten using a 3/4" socket / wrench.



16. Included in this kit are bolts and nuts to mount the optional stinger, light-bar and d-ring kits. If these kits are not purchased with this bumper, the hardware can be installed to cover the accessory locations. If desired install the supplied 1/2" x 1 1/2" button head bolts in the top of the winch bumper and the front of the winch bumper.
17. Also included in this kit are 2 12mm x 35mm bolts for the roller fairlead. Hardware included with some winches do not supply hardware long enough to install through the plate and fairlead on this bumper. This can be installed during the winch installation process, but preferably before the winch is installed to easily gain access to this hardware.

MAINTENANCE INFORMATION

1. Failure to securely tighten all bolts on the winch plate, winch, and fairlead can result in product failure, which may result in vehicle damage or operator injury. Check that all bolts are securely tightened prior to use.
2. Inspect all nuts and bolts on the winch, winch mount, and related hardware prior to each use. Tighten all nuts that appear to be loose. Stripped, fractured, or bent bolts or nuts should be replaced.
3. Periodically check bolt for tightness.

OPTIONAL ACCESSORIES FOR XJ WINCH BUMPER CALL YOUR ROUGH COUNTRY DEALER TO ORDER



WINCH COVER



**ROUGH COUNTRY ELECTRIC WINCH
AVAILABLE IN 9500LB & 12000LB**



PART # 1055 STINGER KIT



PART # RS110 SYNTHETIC ROPE



PART # 1056 D-RING KIT



PART # 1058 LIGHT BAR/ WINCH GUARD



**PART # RS120 WINCH
EXTENSION STRAP**

THANK YOU FOR CHOOSING ROUGH COUNTRY FOR YOUR OFF ROAD NEEDS.